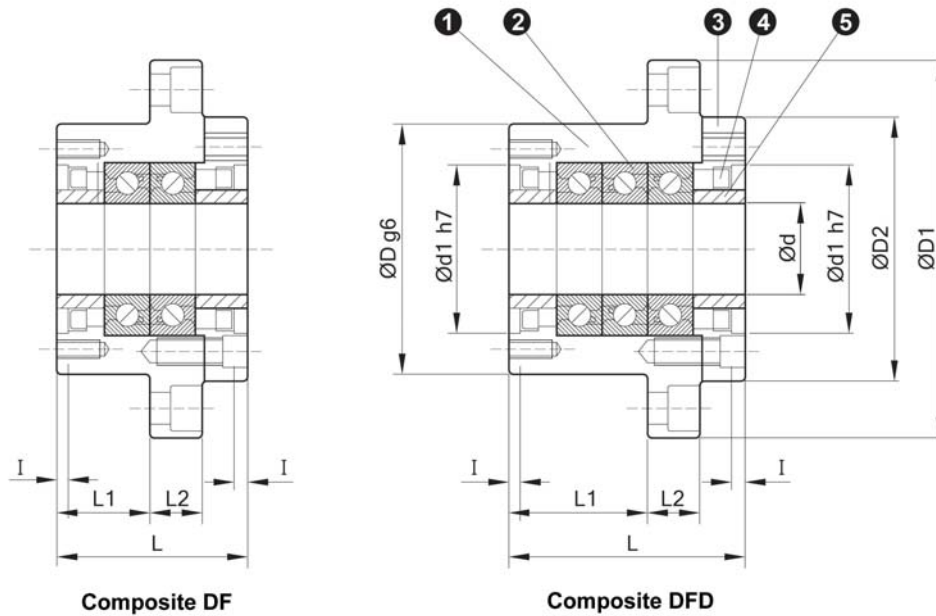


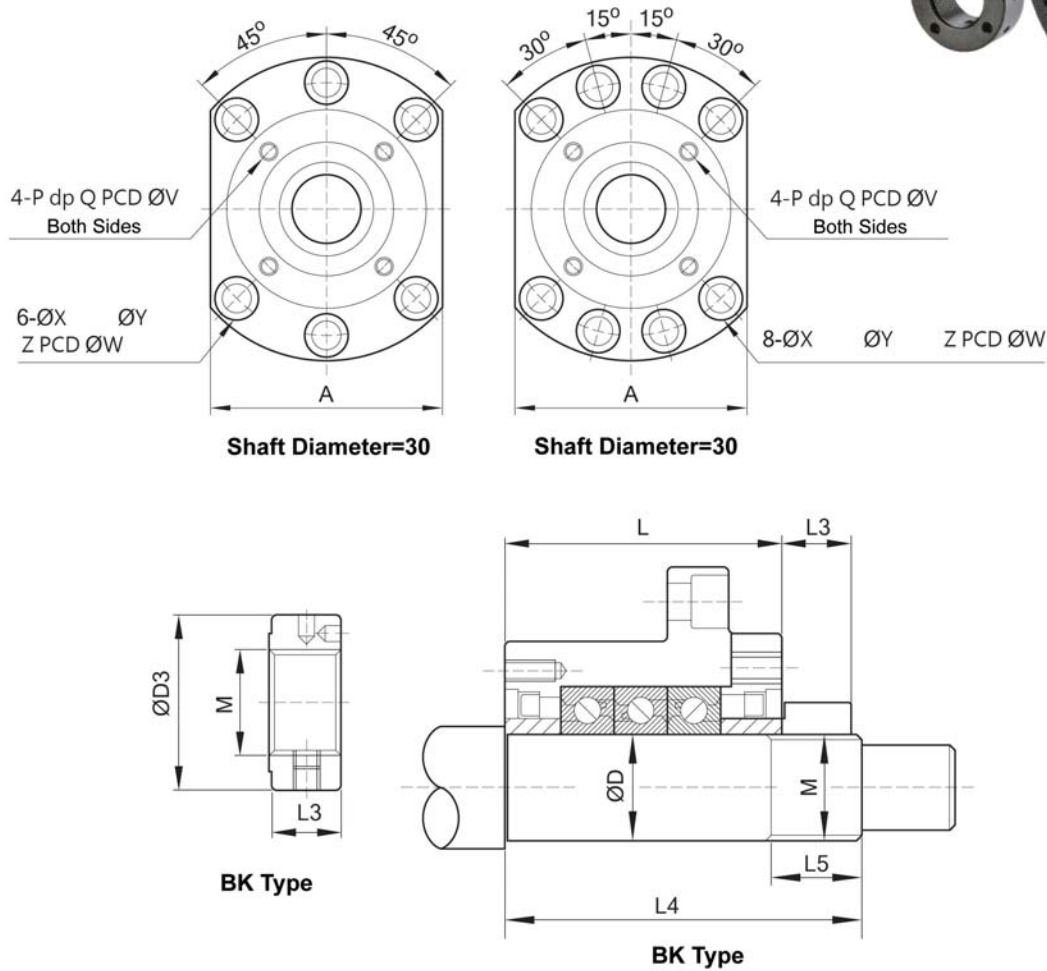
WBK Series **Heavy Load**

Park No.	Part name	Qty
1	Block Body	1 pc
2	Bearing	1 set
3	Binder Plate	1 pc
4	Distance Ring	2 pcs
5	Seal	2 pcs



Model No	d	D	D1	D2	L	L1	L2	A	W	X	Y	Z	d1	I	V	P	Q
WBK 17DF	17	70	106	72	60	32	15	80	88	9	14	8.5	45	3	58	M5	10
WBK 20DF	20	70	106	72	60	32	15	80	88	9	14	8.5	45	3	58	M5	10
WBK 25DF	25	85	130	90	66	33	18	100	110	11	17.5	11	57	4	70	M6	12
WBK 25DFD	25	85	130	90	81	48	18	100	110	11	17.5	11	57	4	70	M6	12
WBK 30DF	30	85	130	90	66	33	18	100	110	11	17.5	11	57	4	70	M6	12
WBK 30DFD	30	85	130	90	81	48	18	100	110	11	17.5	11	57	4	70	M6	12
WBK 35DF	35	95	142	102	66	33	18	106	121	11	17.5	11	69	4	80	M6	12
WBK 35DFD	35	95	142	102	81	48	18	106	121	11	17.5	11	69	4	80	M6	12
WBK 40DF	40	95	142	102	66	33	18	106	121	11	17.5	11	69	4	80	M6	12
WBK 40DFD	40	95	142	102	81	48	18	106	121	11	17.5	11	69	4	80	M6	12

WBK Series **Heavy Load**



Model No	Bearing	Basic Lad-Ca (N)	Limit Load(N)	Preload (N)	Axial Stiffness (N/um)	Starting Torque (N-cm)	Lock nut			Weight (Kgs)	End Size		
							M	D3	L3		d	L4	L5
WBK 17DF	17TAC47 P4	21900	26600	2150	750	14	M17x1	37	18	1.9	17	81	23
WBK 20DF	20TAC47 P4	21900	26600	2150	750	14	M20x1	40	18	1.9	20	81	23
WBK 25DF	25TAC62 P4	28500	40500	3150	1000	23	M25x1.5	45	20	3.1	25	89	26
WBK 25DFD	25TAC62 P4	46500	81500	4300	1470	31	M25x1.5	45	20	3.4	25	104	26
WBK 30DF	30TAC62 P4	29200	43000	3350	1030	24	M30x1.5	50	20	3.0	30	89	26
WBK 30DFD	30TAC62 P4	47500	86000	4500	1520	33	M30x1.5	50	20	3.3	30	104	26
WBK 35DF	35TAC72 P4	31000	50000	3800	1180	28	M35x1.5	55	22	3.4	35	92	30
WBK 35DFD	35TAC72 P4	50500	100000	5200	1710	37	M35x1.5	55	22	4.3	35	107	30
WBK 40DF	40TAC72 P4	31500	52000	3900	1230	28	M40x1.5	60	22	3.6	40	92	30
WBK 40DFD	40TAC72 P4	51500	104000	5300	1810	38	M40x1.5	60	22	4.2	40	107	30