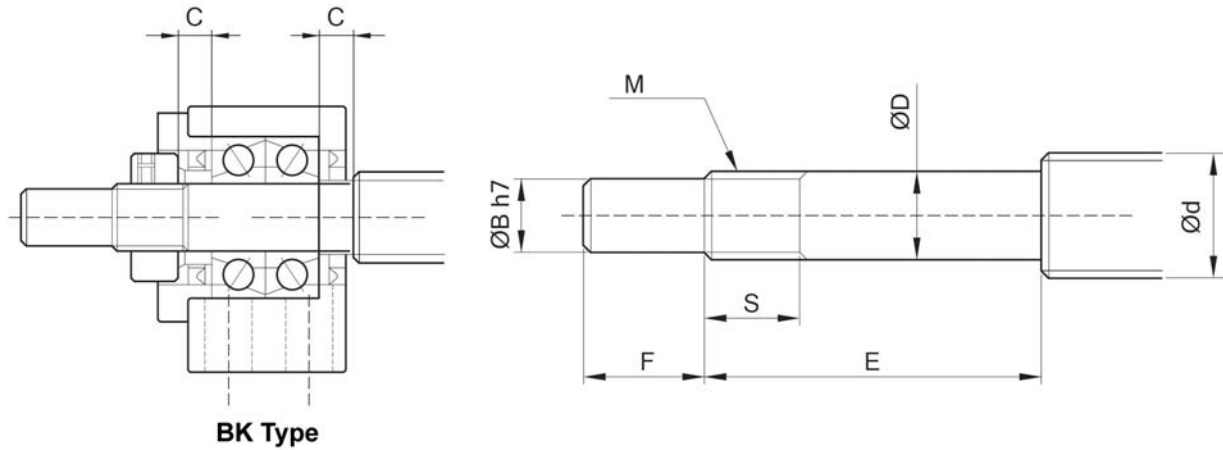


Suggested Mounting End

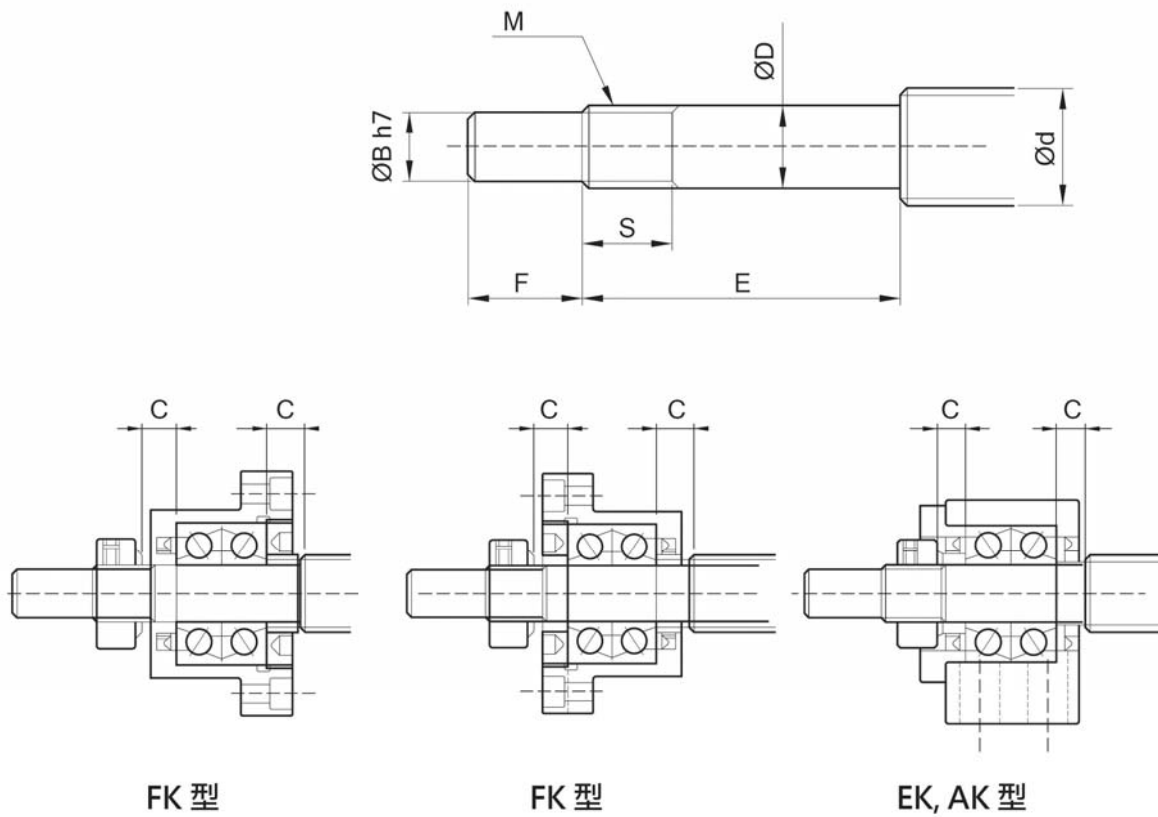
1. BK Type



Unit: mm

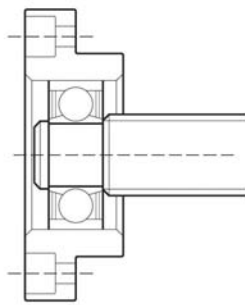
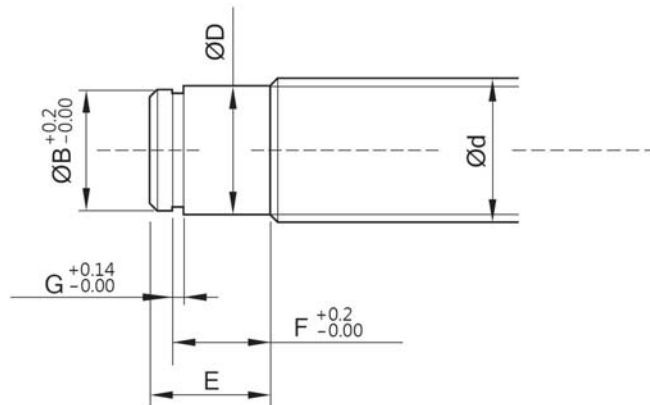
Model No	OD of the ballscrew	OD of the shaft end		B	E	F	Thread		Length of the Sleeve Nut
	d	D					M	S	C
BK10	12/14/15	10	-0.005	8	36	15	M10x1	16	5.5
			-0.012						
BK12	14/15/16	12	-0.005	10	36	15	M12x1	14	5.5
			-0.012						
BK15	18/20	15	-0.005	12	40	20	M15x1	12	6
			-0.014						
BK17	20/25	17	-0.005	15	53	23	M17x1	17	7
			-0.014						
BK20	25/28	20	-0.005	17	53	25	M20x1	15	8
			-0.014						
BK25	32/36	25	-0.005	20	65	30	M25x1.5	18	9
			-0.014						
BK30	36/40	30	-0.005	25	72	38	M30x1.5	25	9
			-0.015						
BK35	45	35	-0.005	30	81	45	M35x1.5	28	12
			-0.015						
BK40	50	40	-0.005	35	93	50	M40x1.5	35	15
			-0.015						

2. FK, EK, AK Type

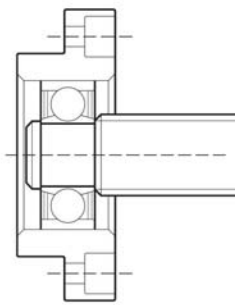


Model No			OD of the ballscrew	OD of the shaft end		B	E	F	Thread		Length of the sleeve nut C
			d	D					M	S	
FK05	EK05	-	8	5	-0.005 -0.012	4	25	6	M5x0.5	7	3.5
FK06	EK06	-	8	6	-0.005 -0.012	4	28	8	M6x0.75	8	5
FK08	EK08	-	10/12	8	-0.005 -0.012	6	32	9	M8x1	10	5.5
FK10	EK10	AK10	12/14/15	10	-0.005 -0.012	8	36	15	M10x1	11	5.5
FK12	EK12	AK12	14/15/16	12	-0.005 -0.012	10	36	15	M12x1	11	5.5
FK15	EK15	AK15	18/20	15	-0.005 -0.014	12	40	20	M15x1	13	10
FK17	-	-	20/25	17	-0.005 -0.014	15	53	23	M17x1	15	10
FK20	EK20	AK20	25/28	20	-0.005 -0.014	17	53	25	M20x1	17	11
FK25	-	-	32/36	25	-0.005 -0.014	20	65	30	M25x1.5	20	15
FK30	-	-	36/40	30	-0.005 -0.015	25	72	38	M30x1.5	25	9

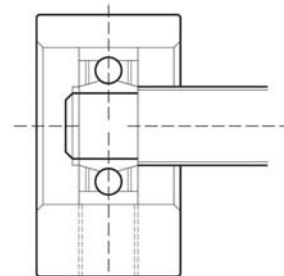
3. FF, EF, BF, AF Type



FF Type



FF Type



EF, BF, AF Types

Model No.				OD of the ballscrew	OD of the shaft end		E	B	F	G
				d	D					
FF06	EF06	-	-	8	6	-0.005 -0.012	9	5.7	6.8	0.8
-	EF08	-	-	10	6	-0.005 -0.012	9	5.7	6.8	0.8
FF10	EF10	BF10	AF10	12/14/15	8	-0.005 -0.012	10	7.6	7.9	0.9
FF12	EF12	BF12	AF12	14/15/16	10	-0.005 -0.012	11	9.6	9.15	1.15
FF15	EF15	BF15	AF15	18/20	15	-0.005 -0.014	13	14.3	10.15	1.15
FF17	-	BF17	-	20/25	17	-0.005 -0.014	16	16.2	13.15	1.15
FF20	EF20	BF20 *	AF20	25/28/30	20	-0.005 -0.014	19(16)	19	15.35(13.35)	1.35
FF25	-	BF25	-	30/32/36	25	-0.005 -0.014	20	23.9	16.35	1.35
FF30	-	BF30	-	36/40	30	-0.005 -0.015	21	28.6	17.75	1.75
-	-	BF35	-	40/45	35	-0.005 -0.015	22	33	18.75	1.75
-	-	BF40	-	50	40	-0.005 -0.015	23	38	19.75	1.95