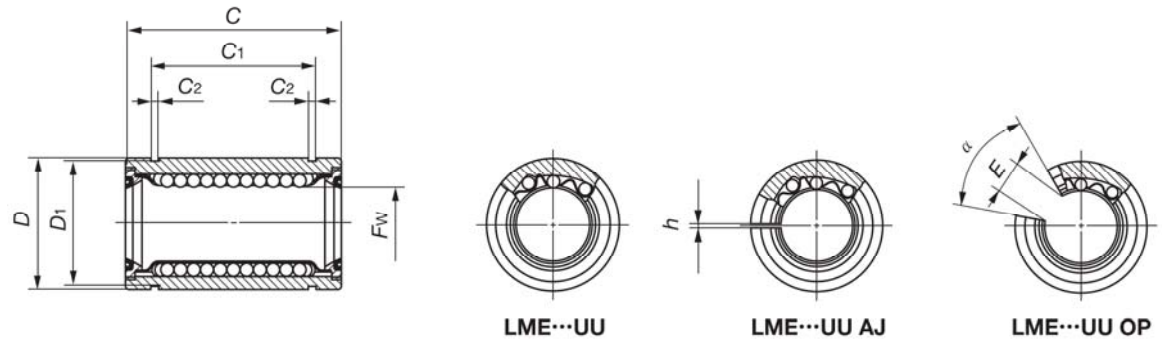


LME-UU Series



Shaft Diameter (mm)	Standard Type		Adjustable Type		Open Type		Main Dimension(mm)											Ecc. (max) (μm)	Rated Load (N)		mass (g)		
	type	Ball rows	type	Ball rows	type	Ball rows	Dimension of Inscribing		Outside Dimension		C	tol. (μm)	C1	tol. (μm)	C2	D1	h		E	α		Dyn	Stat
							Fw	tol. (μm)	D	tol. (μm)													
5	LME5UU	3	-	-	-	-	5	+8	12	0	22	0	14.5	0	1.1	11.5	-	-	-	12	118	216	11
8	LME8UU	4	-	-	-	-	8		16	-8	25		16.5		1.1	15.2	-	-	-				
12	LME12UU	4	LME12UU AJ	4	LME12UU OP	3	12	0	22	0	32	-200	22.9	-200	1.3	21	1.5	7.5	78°	588	500	45	
16	LME16UU	4	LME16UU AJ	4	LME16UU OP	3	16		+9	26	-9		36		24.9	1.3	24.9	1.5	10	78°	480	765	69
20	LME20UU	5	LME20UU AJ	5	LME20UU OP	4	20	0	32	0	45	0	31.5	0	1.6	30.3	2	10	60°	647	2206	100	
25	LME25UU	6	LME25UU AJ	6	LME25UU OP	5	25		+11	40	-11		58		44.1	1.85	37.5	2	12.5	50°	1029	1814	200
30	LME30UU	6	LME30UU AJ	6	LME30UU OP	5	30	0	47		68	0	52.1	0	1.85	44.5	2	12.5	50°	1471	2745	260	
40	LME40UU	6	LME40UU AJ	6	LME40UU OP	5	40		+13	62	0		80		-300	60.6	-300	2.15	59	2	16.8	50°	2304
50	LME50UU	6	LME50UU AJ	6	LME50UU OP	5	50	-2		75	-13	100	0	77.6		0		2.65	72	2	21	50°	3725
60	LME60UU	6	LME60UU AJ	6	LME60UU OP	5	60	0	90		125	0		101.7	0		3.15	86.5	3	27.2	50°	6225	11765
80	LME80UU	6	LME80UU AJ	6	LME80UU OP	5	80		16	120	0		165	-400		133.7	-400	4.15	116	3	36.3	50°	10196
								-4		-15													

**Note:** tol.=tolerance, prec.=precision, dia.=diameter, deg.=degree, ecc.=eccentricity, dim.=dimension, dyn.=dynamic, stat.=static