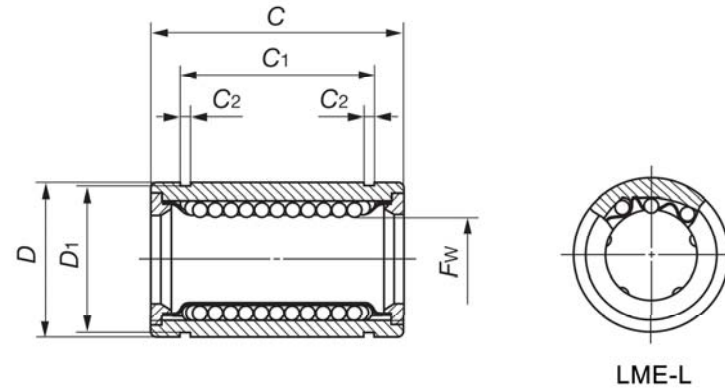


LME-L Series



Type	Ball Rows	Main dimensions and Tolerance (mm)										Basic Load Rating(N)	
		Fw	Tol.(μm)	D	Tol.(μm)	C	Tol.(μm)	C1	Tol.(μm)	D1	C2	Dyn.	Stat.
LME8L	4	8	9	16	0	46	0 -300	27	0 -400	15.2	1.1	421	804
LME12L	4	12	-1	22	0	61		35		21	1.3	813	1570
LME16L	5	16	11	26	-11	68		44		24.9	1.3	921	1780
LME20L	5	20	-1	32	0 -13	80	46	30.5	1.6	1370	2740		
LME25L	6	25	13	40		112	46	38	1.85	1570	3140		
LME30L	6	30	-2	47	123	53	44.5	1.85	2500	5490			
LME40L	6	40	16	62	0	151	0 -400	61	0 -500	59	2.15	3430	8040
LME50L	6	50		75	-15	192		82		72	2.65	6080	15900
LME60L	6	60		14	90	0		209		89	86.5	3.15	7550

Note: tol.=tolerance, prec.=precision, dia.=diameter, deg.=degree, ecc. =eccentricity, dim.=dimension, dyn.=dynamic, stat.=static