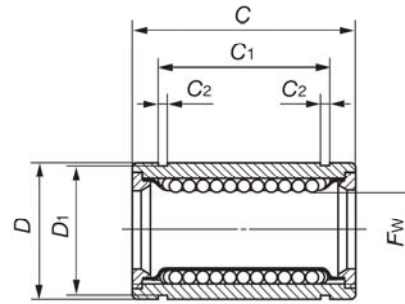
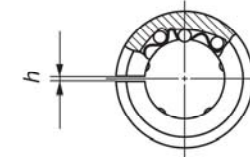


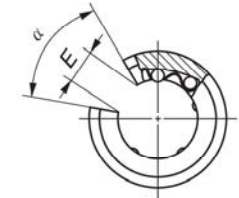
LMB-UU Series



LMB



LMB...AJ



LMB...OP

Shaft dia. (mm)	Part No.						Major (mm)				Dimensions and tolerance (mm)										ecc. (max) (μ m)		Rated load(N)		mass (g)
	TYPE	Ball rows	TYPE	Ball rows	TYPE	Ball rows	Dim. of inscribing circle		Outside dimension		Full-length		C1	tol. (μ m)	C2	D1	h	E	α	Prec.	High	Dyn.	Stat.		
							Fw	tol. (μ m)		D	tol. (μ m)	C												tol. (μ m)	
								Pre.	High																
6.35	LMB4UU	4	LMB4UU AJ	4	-	-	6.35			12.7	0 -11	19.1		13		0.99	11.91	1	-	-			206	265	8
9.525	LMB6UU	4	LMB6UU AJ	4	-	-	9.53			15.9		22.2		16.2		0.99	14.94	1	-	-	8	12	225	16	14
12.7	LMB8UU	4	LMB8UU AJ	4	LMB8UU OP	3	12.7	0 -6	0 -9	22.2	0 -13	31.8	0 -200	24.5	0 -200	1.17	20.85	1.5	7.94	80°			510	784	37
15.875	LMB10UU	4	LMB10UU AJ	4	LMB10UU OP	3	15.9			28.6		38.1		28		1.42	26.9	1.5	9.53	80°			774	1,180	76
19.05	LMB12UU	5	LMB12UU AJ	5	LMB12UU OP	4	19.1			31.8	0 -16	41.3		29.6		1.42	29.87	1.5	11.1	60°	10	15	862	1,370	95
25.4	LMB16UU	6	LMB16UU AJ	6	LMB16UU OP	5	25.4	0 -7	0 -10	39.7		57.2		44.6		1.73	37.31	1.5	14.3	50°			980	1,570	200
31.75	LMB20UU	6	LMB20UU AJ	6	LMB20UU OP	5	31.8			50.8	0 -19	66.7	0 -300	50.9	0 -300	1.73	47.9	2.5	15.9	50°	12	20	1,570	2,740	440
38.1	LMB24UU	6	LMB24UU AJ	6	LMB24UU OP	5	38.1	0 -8	0 -12	60.3		76.2		61.3		2.18	56.87	3	19.1	50°			2,180	4,020	670
50.8	LMB32UU	6	LMB32UU AJ	6	LMB32UU OP	5	50.8			76.2	0 -22	102		81.1		2.62	72.09	3	25.4	50°	17	25	3,820	7,940	1,140

Note: tol.=tolerance, prec.=precision, dia.=diameter, deg.=degree, ecc. =eccentricity, dim.=dimension, dyn.=dynamic, stat.=static