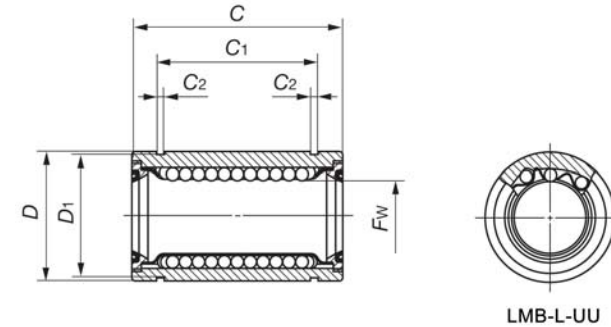


LMB-L-UU Series



Type	Ball rows	Major Dim. and tol. (Inch/mm)										Ecc. (Max.) (Inch/ μ m)	Basic Load Rating (N)	
		Inscribed circle Diameter		Outer Diameter		Length		Outer Locking Groove			C2		Dyn.	Stat.
		Fw	Tol.(Inch/ μ m)	D	Tol.(Inch/ μ m)	C	Tol.(Inch/ μ m)	C1	Tol.(Inch/ μ m)	D1				
LMB4LUU	3	0.25 6.35	0	0.5 12.7	0 -0.0005	1.375 34.925	0	1.022 25.959	0	0.4687 11.906	0.039 0.992	0.0006	323	530
LMB6LUU	4	0.375 9.525		0.625 15.785	0 -0.0004	1.5938 40.481		-0.012		1.2716 32.298	-0.012		0.588 14.935	0.039 0.992
LMB8LUU	4	0.5 12.7	-10	0.875 22.225	-0.00065	2.375 60.325	0 -300	1.925 48.895	0 -300	0.8209 20.853	0.0459 1.168	15 0.0008	813	1570
LMB10LUU	4	0.625 15.875	0	1.125 28.575	-16	2.8125 71.438	0	2.2079 56.08	0	1.059 26.899	0.0559 1.422	20	1230	2350
LMB12LUU	5	0.75 19.05		-0.0005	1.25 31.75	0 0.00075		3.0937 78.581		0	2.3314 59.218	0	1.176 29.87	0.0599 1.422
LMB16LUU	6	1 25.4	0 -12	1.5625 39.688	0 -19	4.2813 108.744	0	3.5094 89.139	0	1.4687 37.306	0.0679 1.727	1570	3140	
LMB20LUU	6	1.25 31.75	0	2 50.8	0 -0.0009	5 127		0		4.0094 101.839	0	1.8859 47.904	0.0679 1.727	2500
LMB24LUU	6	1.5 38.1		-0.0006	2.375 60.325	0 -22	5.6875 144.463	-0.016	4.8236 122.519	-0.016	2.2389 56.87	0.0859 2.184	0.001 25	3430
LMB32LUU	6	2 50.8	0 -15	3 76.2	0 -0.001	7.75 196.85	-400	6.3834 162.138	-400	2.8379 72.085	0.1029 2.616	0.0012 30	6080	15900

Note: tol.=tolerance, prec.=precision, dia.=diameter, deg.=degree, ecc. =eccentricity, dim.=dimension, dyn.=dynamic, stat.=static