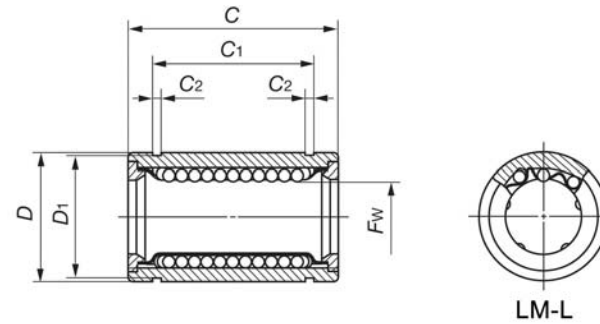


LM-L Series



Type	Ball rows	Main Dim.(mm)										Ecc. (μm)(max)	Basic Load Rating (N)	
		Inscribed circle Dia.		Outer Dia.		Length		Outer Locking Groove			C2		Dyn.	Stat.
		Fw	Tol.(μm)	D	Tol.(μm)	C	Tol.(μm)	C1	Tol.(μm)	D1				
LM6L	4	6	0 -0.010	12	0	35	0 -0.30	27	0 -0.30	11.5	1.1	0.015	324	529
LM8L	4	8		15	-0.013	45		35		14.3	1.1		431	784
LM10L	4	10		19	0	55		44		18	1.3		588	1098
LM12L	4	12		21		57		46		20	1.3		814	1569
LM13L	4	13		23	-0.016	61		46		22	1.3		814	1569
LM16L	5	16		28	70	53		27		1.6	1235		2353	
LM20L	5	20	32	0 -0.019	80	61	30.5	1.6	1402	2745				
LM25L	6	25	40		112	82	38	1.85	1559	3137				
LM30L	6	30	45	123	89	43	1.85	2490	5490					
LM35L	6	35	52	0 -0.022	135	99	49	2.1	2647	6275				
LM40L	6	40	60		151	121	57	2.1	3431	8039				
LM50L	6	50	80	-0.022	192	148	76.5	2.6	6078	15902				
LM60L	6	60	0 -0.020	90	0 -0.025	209	170	86.5	3.15	7549	20000			

Note: tol.=tolerance, prec.=precision, dia.=diameter, deg.=degree, ecc. =eccentricity, dim.=dimension, dyn.=dynamic, stat.=static