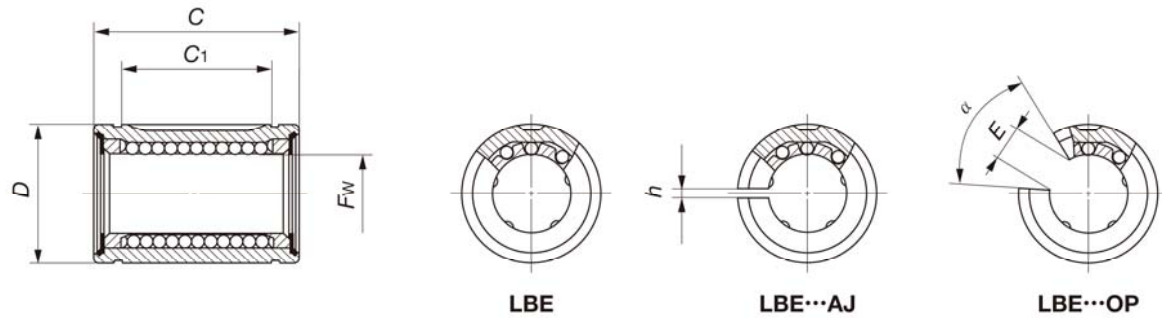


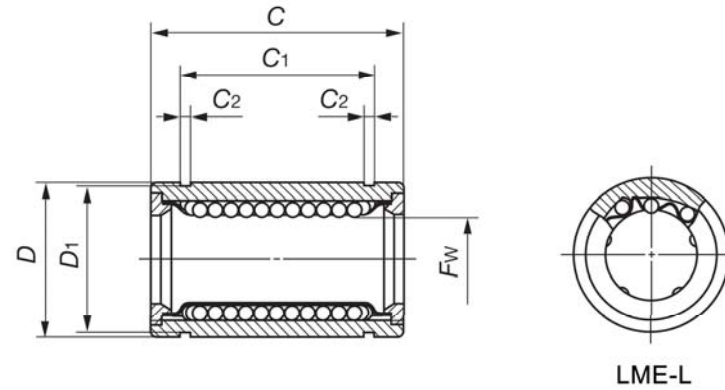
LBE Series



Shaft Dia. (mm)	Standard		Adjustable		Open Type		Main Dimension(mm)													Ecc. (μm)	Rated Load (N)		mass(g)	
	Type	Ball rows	Type	Ball rows	Type	Ball rows	Dim. of Inscribing		Outside Dim.		C	Tol. (μm)	C1	Tol. (μm)	C2	D ₁	h	E	α		Dyn.	Stat.		
							Fw	Tol. (μm)	D	Tol. (μm)														
5	LBE5	3	-	-	-	-	5	+8	12	0	22	0	14.5	0	1.1	11.5	-	-	-	12	12	22	11	5
8	LBE8	4	-	-	-	-	8		16	-8	25		16.5		1.1	15.2	-	-	-		14	26	20	8
12	LBE12	4	LBE12AJ	4	LBE12OP	3	12	0	22	0	32	-200	22.9	-200	1.3	21	1.5	7.5	780	12	30	51	45	12
16	LBE16	4	LBE16AJ	4	LBE16OP	3	16		+9	26	-9		36		24.9	1.3	24.9	1.5	10		780	49	78	69
20	LBE20	5	LBE20AJ	5	LBE20OP	4	20	-1	32	0	45	0	31.5	0	1.6	30.3	2	10	600	15	66	115	100	20
25	LBE25	4	LBE25AJ	6	LBE25OP	5	25	+11	40	-11	58		44.1		1.85	37.5	2	12.5	500		105	185	200	25
30	LBE30	4	LBE30AJ	6	LBE30OP	5	30	-1	47	0	68	0	52.1	0	1.85	44.5	2	12.5	500	17	150	280	260	30
40	LBE40	5	LBE40AJ	6	LBE40OP	5	40	+13	62	0	80		-300		60.6	-300	2.15	59	3		16.8	500	235	450
50	LBE50	6	LBE50AJ	6	LBE50OP	5	50	2	75	-13	100	0	77.6	0	2.65	72	3	21	500	17	380	650	1400	50
60	LBE60	6	LBE60AJ	6	LBE60OP	5	60		+6	90	0		125		102	3.15	86.5	3	27.2		500	635	1200	2000
80	LBE80	6	LBE80AJ	6	LBE80OP	5	80	-4	120	-15	165	-400	102	-400	4.15	116	3	36.3	500	20	1040	1800	5000	80

Note: tol.=tolerance, prec.=precision, dia.=diameter, deg.=degree, ecc. =eccentricity, dim.=dimension, dyn.=dynamic, stat.=static

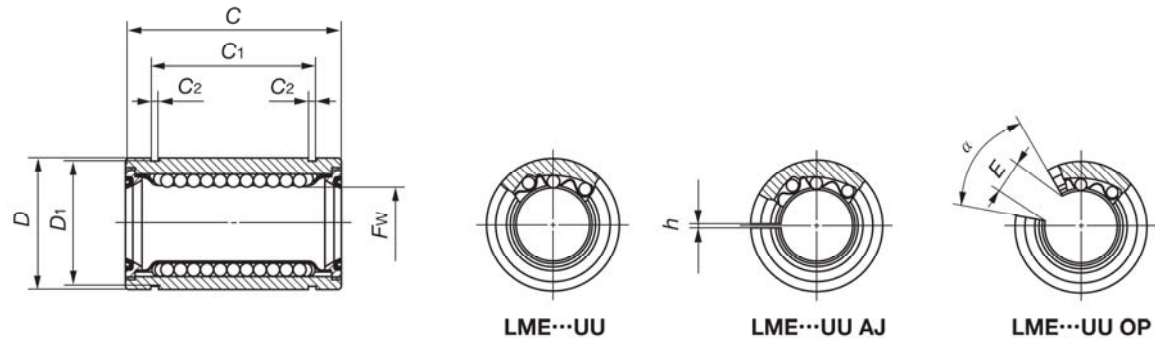
LME-L Series



Type	Ball Rows	Main dimensions and Tolerance (mm)										Basic Load Rating(N)	
		Fw	Tol.(μm)	D	Tol.(μm)	C	Tol.(μm)	C1	Tol.(μm)	D1	C2	Dyn.	Stat.
LME8L	4	8	9	16	0	46	0 -300	27	0 -400	15.2	1.1	421	804
LME12L	4	12	-1	22	0	61		35		21	1.3	813	1570
LME16L	5	16	11	26	-11	68		44		24.9	1.3	921	1780
LME20L	5	20	-1	32	0 -13	80	46	30.5	1.6	1370	2740		
LME25L	6	25	13	40		112	46	38	1.85	1570	3140		
LME30L	6	30	-2	47	-13	123	53	44.5	1.85	2500	5490		
LME40L	6	40	16	62	0	151	0 -400	61	0 -500	59	2.15	3430	8040
LME50L	6	50		75	-15	192		82		72	2.65	6080	15900
LME60L	6	60		14	90	0		209		89	86.5	3.15	7550

Note: tol.=tolerance, prec.=precision, dia.=diameter, deg.=degree, ecc. =eccentricity, dim.=dimension, dyn.=dynamic, stat.=static

LME-UU Series



Shaft Diameter (mm)	Standard Type		Adjustable Type		Open Type		Main Dimension(mm)											Ecc. (max) (μm)	Rated Load (N)		mass (g)		
	type	Ball rows	type	Ball rows	type	Ball rows	Dimension of Inscribing		Outside Dimension		C	tol. (μm)	C1	tol. (μm)	C2	D1	h		E	α		Dyn	Stat
							Fw	tol. (μm)	D	tol. (μm)													
5	LME5UU	3	-	-	-	-	5	+8	12	0	22	0	14.5	0	1.1	11.5	-	-	-	12	118	216	11
8	LME8UU	4	-	-	-	-	8		16	-8	25		16.5		1.1	15.2	-	-	-		137	255	20
12	LME12UU	4	LME12UU AJ	4	LME12UU OP	3	12	0	22	0	32	-200	22.9	-200	1.3	21	1.5	7.5	78°	15	588	500	45
16	LME16UU	4	LME16UU AJ	4	LME16UU OP	3	16		+9	26	-9		36		24.9	1.3	24.9	1.5	10		78°	480	765
20	LME20UU	5	LME20UU AJ	5	LME20UU OP	4	20	0	32	0	45	0	31.5	0	1.6	30.3	2	10	60°	17	647	2206	100
25	LME25UU	6	LME25UU AJ	6	LME25UU OP	5	25		+11	40	-11		58		44.1	1.85	37.5	2	12.5		50°	1029	1814
30	LME30UU	6	LME30UU AJ	6	LME30UU OP	5	30	0	47		68	-300	52.1	-300	1.85	44.5	2	12.5	50°	17	1471	2745	260
40	LME40UU	6	LME40UU AJ	6	LME40UU OP	5	40		+13	62	0		80		60.6	2.15	59	2	16.8		50°	2304	4412
50	LME50UU	6	LME50UU AJ	6	LME50UU OP	5	50	-2	75	-13	100	0	77.6	0	2.65	72	2	21	50°	20	3725	6373	1400
60	LME60UU	6	LME60UU AJ	6	LME60UU OP	5	60			90			125		101.7	3.15	86.5	3	27.2		50°	6225	11765
80	LME80UU	6	LME80UU AJ	6	LME80UU OP	5	80	16	120	0	165	-400	133.7	-400	4.15	116	3	36.3	50°	20	10196	17647	5000
							80	-4		-15													

Note: tol.=tolerance, prec.=precision, dia.=diameter, deg.=degree, ecc.=eccentricity, dim.=dimension, dyn.=dynamic, stat.=static