

## General Purpose Lead Screw Nut

**General Purpose Nut** is fit for lead screws of trapezoidal thread, STT thread, acme thread and other standard or nonstandard thread, which don't require anti-backlash and wear compensation. It offers axial clearance from 0.075mm to 0.18mm.

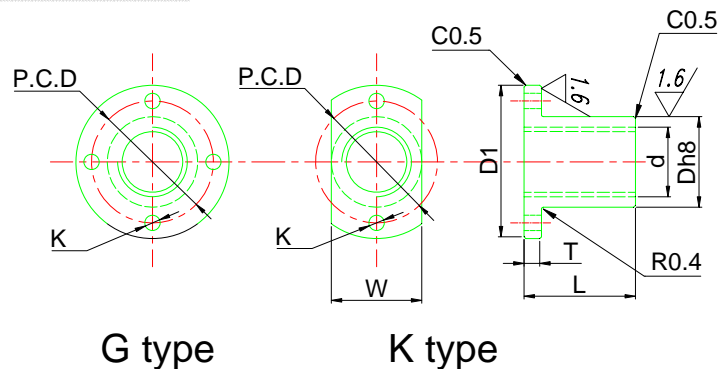
**Properties:**

1. Standards: ISO2901-4, DIN103, GB/5796; Clearance: 7H. Higher tolerances can be acquired upon request.
2. The popular material can be bronze, brass, casting iron, alloy steel, POM (Derlin, Acetal), PA6 (PA66, Nylon) and other polymer plastic materials.
3. High quality materials, strict quality control and precision machining ensure the best performance.
4. Working temperature: 15°C to 350°C for metal nut, and 15°C to 175°C for plastic nut.

**Suggestions:** the lead screw assembly should be replaced by new set once the axial clearance is 1/4 or more of the pitch.

**Note:** all dimensions, unless marked, in mm.

### Round Nut with Flange in Compact Size-RNC

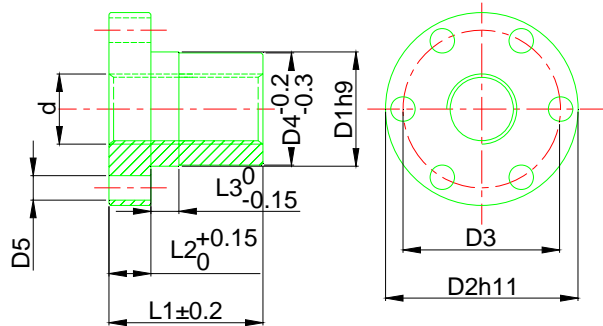


**Stock Material:** Bronze, Casting Iron; **Other materials upon request:** Brass, Steel etc.

Code	d	pitch	D	L	D1	T	P.C.D	W	Dynamic Load (KN)
RNC□-10x□	10	2 (3, 4, 5, 6, 8, 9)	16	19	32	4	24	3.3	2.02
RNC□-12x□	12		18	24	36	5	27	4.3	3.14
RNC□-14x□	14	3 (2, 4, 6, 8, 9)	20	24	38	5	29	4.3	3.92
RNC□-16x□	16		22	28	40	5	31	4.3	5.34
RNC□-20x□	20	4 (2, 3, 5, 6)	26	32	44	5	35	4.3	7.85
RNC□-22x□	22	5 (2, 3, 4, 6)	28	40	50	6	39	5.4	9.89
RNC□-25x□	25		31	40	53	6	42	5.4	11.38
RNC□-28x□	28		34	43	58	7	46	6.6	14.42
RNC□-32x□	32	6 (3, 4, 5, 7, 8)	38	43	62	7	50	6.6	16.94

**Other sizes, dimensions and shapes are available upon request.**

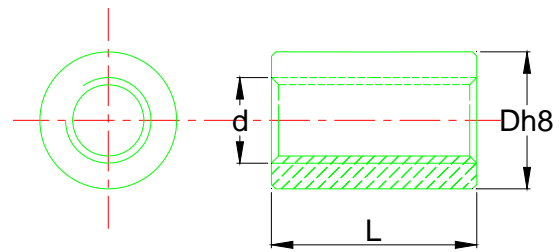
### Round Nut with Round Flange-RNRF



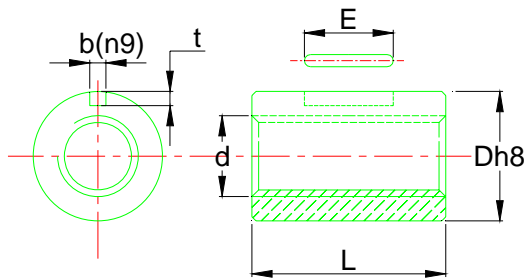
Stock Material: Bronze, Casting Iron; Other materials upon request: Brass, Steel etc..

Code	d	Pitch	D1	D2	D3	D4	Mounting holes		L1	L1	L2
			h9			-0.2/-0.3	D5	Thread			
<b>RNRF/S: with single-start thread</b>											
RNRF/S-10x2	10	2	25	42	34	25	5	M4	25	10	6
RNRF/S-10x3	10	3	25	42	34	25	5	M4	25	10	6
RNRF/S-12x3	12	3	28	48	38	28	6	M5	35	12	8
RNRF/S-14x3	14	3	28	48	38	28	6	M5	35	12	8
RNRF/S-16x4	16	4	28	48	38	28	6	M5	35	12	8
RNRF/S-18x4	18	4	28	48	38	28	6	M5	35	12	8
RNRF/S-20x4	20	4	32	55	45	32	7	M6	44	12	8
RNRF/S-22x5	22	5	32	55	45	32	7	M6	44	12	8
RNRF/S-24x5	24	5	32	55	45	32	7	M6	44	12	8
RNRF/S-26x5	26	5	38	62	50	38	7	M6	46	14	8
RNRF/S-28x5	28	5	38	62	50	38	7	M6	46	14	8
RNRF/S-30x6	30	6	38	62	50	38	7	M6	46	14	8
RNRF/S-32x6	32	6	45	70	58	45	7	M6	54	16	10
RNRF/S-36x6	36	6	45	70	58	45	7	M6	54	16	10
RNRF/S-40x7	40	7	63	95	78	63	9	M8	66	16	12
RNRF/S-44x7	44	7	63	95	78	63	9	M8	66	16	12
RNRF/S-48x8	48	8	72	110	90	72	11	M10	75	18	14
RNRF/S-50x8	50	8	72	110	90	72	11	M10	75	18	14
RNRF/S-60x9	60	9	88	130	110	88	13	M12	90	20	16
RNRF/S-70x10	70	10	95	140	120	95	13	M12	105	22	17
<b>RNRF/D: with double-start thread.</b>											
RNRF/D-12x6	12	3	28	48	38	28	6	M5	35	12	8
RNRF/D-14x6	14	3	28	48	38	28	6	M5	35	12	8
RNRF/D-16x6	16	3	28	48	38	28	6	M5	35	12	8
RNRF/D-18x8	18	4	28	48	38	28	6	M5	35	12	8
RNRF/D-20x8	20	4	32	55	45	32	7	M6	44	12	8
RNRF/D-22x10	22	5	32	55	45	32	7	M6	44	12	8
RNRF/D-24x10	24	5	32	55	45	32	7	M6	44	12	8
RNRF/D-28x10	28	5	38	62	50	38	7	M6	46	14	8
RNRF/D-30x12	30	6	38	62	50	38	7	M6	46	14	8
RNRF/D-32x12	32	6	45	70	58	45	7	M6	54	16	10
RNRF/D-40x14	36	6	45	70	58	45	9	M8	54	16	10
Code	d	Pitch	D1	D2	D3	D4	Mounting holes		L1	L2	L3
			h9			-0.2/-0.3	d1	Thread			

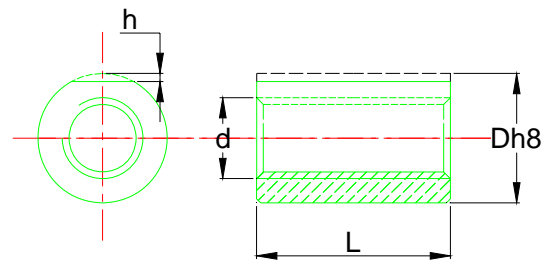
**Round Nut without Round Flange-RN**



O type



J type



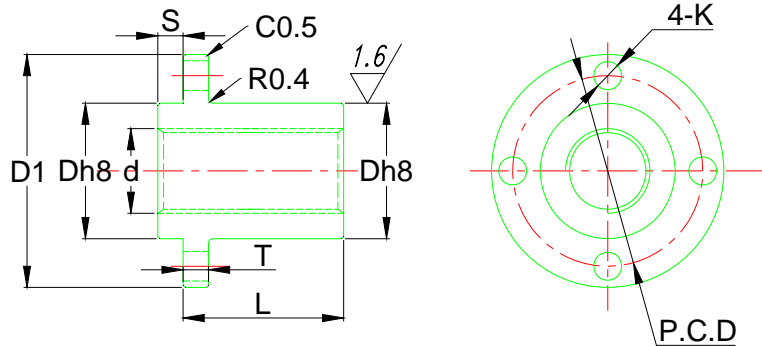
E type

**Stock Material:** Bronze, Casting Iron; **Other materials upon request:** Brass, Steel etc.

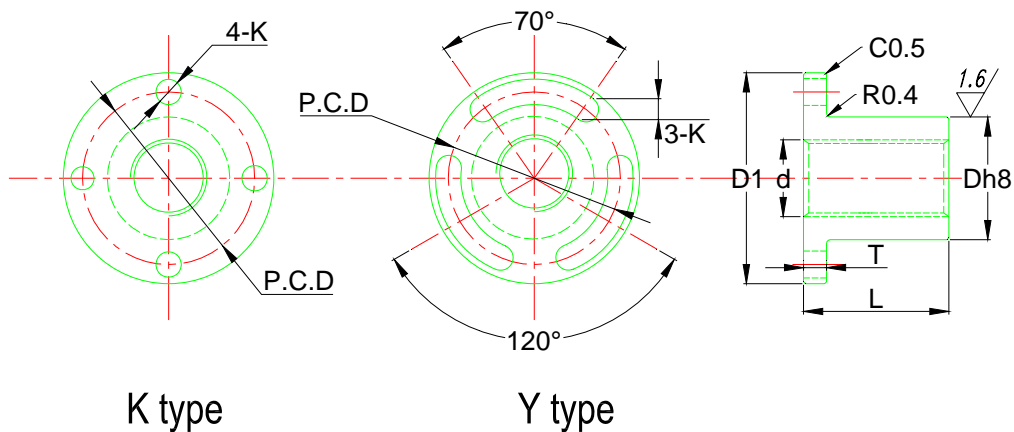
Code	d	pitch	D	L	b	t	E	h	Dynamic Load (KN)
RN□-8x1.5	8	1.5	15	20	3	1.8	14	/	1.47
RN□-10x2	10	2	20	20	4	2.5	14	/	2.06
RN□-12x2	12	2	22	22	4	3	16	/	2.84
RN□-14x3	14	3	22	22	4	5	29	1	3.63
RN□-16x3	16	3	28	26	5	3	18	1	4.90
RN□-18x4	18	4	32	31	6	3.5	22	/	6.86
RN□-20x4	20	4	32	31	6	3.5	22	2	7.65
RN□-22x4	22	5	36	40	6	3.5	26	2	9.90
RN□-25x5	25	5	36	40	6	3.5	26	2	11.38
RN□-28x5	22	5	44	45	8	4	32	2	14.42
RN□-32x6	32	6	44	45	8	4	32	2	17.06
RN□-36x5	22	6	52	49	12	5	40	-	21.18
RN□-40x5	22	7	58	57	15	5	42		27.46
RN□-50x5	22	8	68	67	15	5	52		40.11

Other sizes, dimensions and shapes are available upon request.

**Round Nut with Back Flange or Special Mounting Holes-RNRFX**



A type



K type

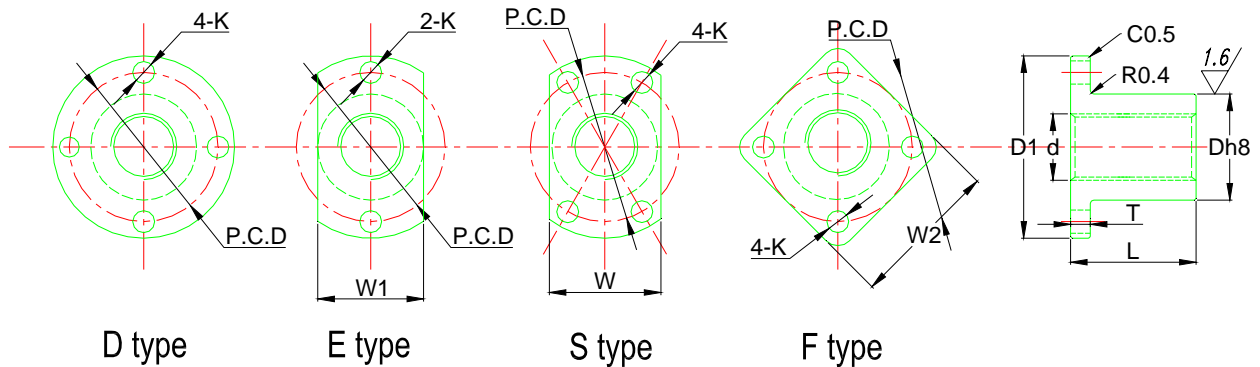
Y type

**Stock Material:** Bronze, Casting Iron; **Other materials upon request:** Brass, Steel etc.

Code	d	pitch	D	L	D1		T	S	P.C.D		K		Dynamic Load(KN)
					A	K,Y			A	K,Y	A	K,Y	
RNRFX□-14x□	14	3 (2, 4, 6, 8, 9)	22	20	44	44	5	5	33	31	5.4	M4	4.90
RNRFX□-16x□	16		28	35	52	51	6	6	40	38	6.6	M5	6.67
RNRFX□-20x□	20	4(2, 3, 5, 6)	32	40	56	56	6	6	44	42	6.6	M5	9.81
RNRFX□-22x□	22	5(2, 3, 4, 6)	36	50	60	61	7	6	48	47	6.6	M5	12.36
RNRFX□-24x□	24		36	50	60	61	7	6	48	47	6.6	M5	14.22
RNRFX□-28x□	28		44	56	/	76	8	/	/	58	9.0	M6	17.95
RNRFX□-32x□	32	6(3, 4, 5, 7, 8)	44	56	/	76	8	/	/	58	9.0	M6	21.08

Other sizes, dimensions and shapes are available upon request.

**Round Nut with Flange-RNWF**

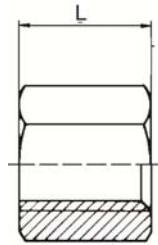


**Stock Material:** Bronze, Casting Iron; **Other materials upon request:** Brass, Steel etc.

Code	d	pitch	D	L	D1	P.C.D	T	W	W1	W2	K	Dynamic Load(KN)
RNWF□-8x□	8	1.5 (1.2)	15	20	30	22	5	/	15	/	4.3	1.47
RNWF□-10x□	10	2 (3, 4, 5, 6, 8, 9)	20	24	36	26	5	22	20	/	4.3	2.55
RNWF□-12x□	12		22	30	44	31	5	24	22	/	5.4	3.92
RNWF□-14x□	14	3 (2, 4, 5, 6, 8, 9)	22	30	44	31	5	24	22	33	5.4	4.90
RNWF□-16x□	16		28	35	51	38	6	30	28	38	6.6	6.67
RNWF□-18x□	18	4 (2, 3, 5, 6)	32	40	56	42	6	34	32	/	6.6	8.72
RNWF□-20x□	20		32	40	56	42	6	34	32	42	6.6	9.81
RNWF□-22x□	22	5 (2, 3, 4, 6)	36	50	61	47	7	40	36	47	6.6	12.36
RNWF□-25x□	25		36	50	61	47	7	40	36	47	6.6	14.22
RNWF□-28x□	28		44	56	76	58	8	48	44	58	9.0	17.95
RNWF□-32x□	32	6 (3, 4, 5, 7, 8)	44	56	76	58	8	48	44	58	9.0	21.08
RNWF□-36x□	36		52	60	84	66	8	56	52	/	9.0	25.78
RNWF□-40x□	40		58	70	98	76	10	62	58	/	11	33.83
RNWF□-50x□	50	8 (4, 5, 6, 7, 10)	68	80	109	85	10	72	68	/	11	40.31

Other sizes, dimensions and shapes are available upon request.

**Hex Nut-HXN**

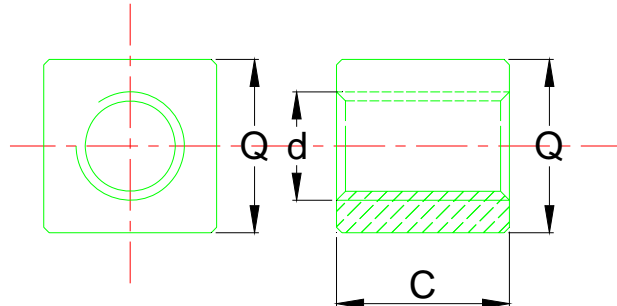


**Stock Material:** Bronze, Casting Iron; **Other materials upon request:** Brass, Steel etc.

Code	d	Pitch	SW	L	Weight (kg)	Code	d	Pitch	SW	L	Weight (kg)
<b>HXN/S: with single-thread.</b>						<b>HXN/D: with double-thread.</b>					
HXN/S-Tr10x2	10	2	17	15	0.022	HXN/DTr12x6	12	3	19	18	0.033
HXN/S-Tr10x3	10	3	17	15	0.022	HXN/D-Tr14 x6	14	3	22	21	0.056
HXN/S-Tr12x3	12	3	19	18	0.033	HXN/D-Tr16x8	16	4	24	24	0.065
HXN/S-Tr14x3	14	3	22	21	0.056	HXN/D-Tr18x8	18	4	27	27	0.095
HXN/S-Tr16x4	16	4	24	24	0.065	HXN/D-Tr20x8	20	4	30	30	0.123
HXN/S-Tr18x4	18	4	27	27	0.095	HXN/D-Tr22x10	22	5	30	33	0.135
HXN/S-Tr20x4	20	4	30	30	0.123	HXN/D-Tr24x10	24	5	36	36	0.213
HXN/S-Tr22x5	22	5	30	33	0.135	HXN/D-Tr28x10	28	5	41	42	0.310
HXN/S-Tr24x5	24	5	36	36	0.213	HXN/D-Tr30x12	30	6	46	45	0.447
HXN/S-Tr26x5	26	5	36	39	0.225	HXN/D-Tr32x12	32	6	50	48	0.455
HXN/S-Tr28x5	28	5	41	42	0.310	HXN/D-Tr36x12	36	6	55	54	0.752
HXN/S-Tr30x6	30	6	46	45	0.447	HXN/D-Tr40x14	40	7	60	60	1.250
HXN/S-Tr32x6	32	6	50	48	0.455	HXN/D-Tr24x10	24	5	36	36	0.213
HXN/S-Tr36x6	36	6	55	54	0.752	HXN/D-Tr28x10	28	5	41	42	0.310
HXN/S-Tr40x7	40	7	60	60	1.250	HXN/D-Tr30x12	30	6	46	45	0.447
HXN/S-Tr44x7	44	7	65	66	1.320	HXN/D-Tr32x12	32	6	50	48	0.455
HXN/S-Tr50x8	50	8	75	75	1.895	HXN/D-Tr36x12	36	6	55	54	0.752
HXN/S-Tr60x9	60	9	90	90	3.30	HXN/D-Tr40x14	40	7	60	60	1.250
HXN/S-Tr70x10	70	10	100	100	4.20						

**Other sizes, dimensions and shapes are available upon request.**

**Square Nut-SQN**

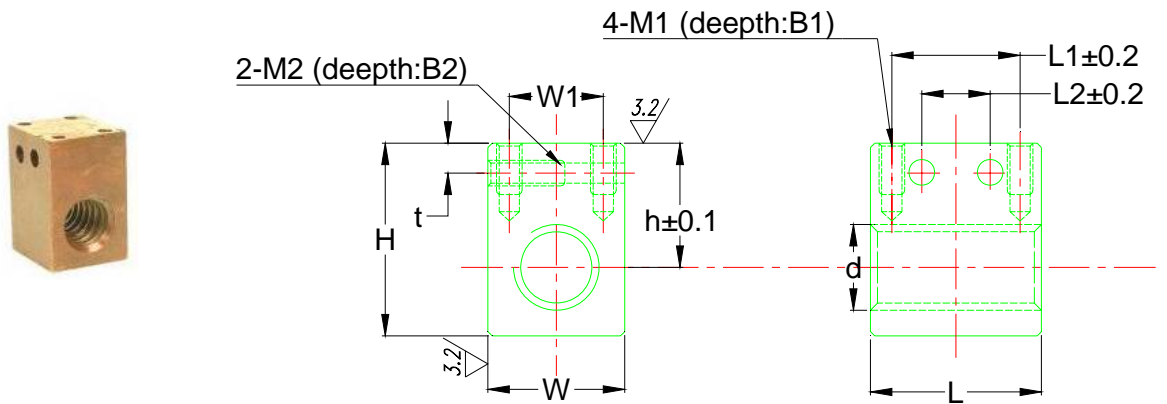


**Stock Material:** Bronze, Casting Iron; **Other materials upon request:** Brass, Steel etc.

Code	d	Pitch	Q	C	Weight (kg)	Code	d	Pitch	Q	C	Weight (kg)
<b>SQNA/S: with single-thread.</b>						<b>SQNA/D: with double-thread.</b>					
SQN/S-10x2	10	2	17	15	0.027	SQN/D-14x6	14	3	25	20	0.079
SQN/S-12x3	12	3	25	18	0.076	SQN/D-16x8	16	4	28	24	0.119
SQN/S-14x3	14	3	25	20	0.079	SQN/D-18x8	18	4	30	28	0.154
SQN/S-16x4	16	4	28	24	0.119	SQN/D-20x8	20	4	35	30	0.259
SQN/S-18x4	18	4	30	28	0.154	SQN/D-22x10	22	5	35	33	0.290
SQN/S-20x4	20	4	35	30	0.259	SQN/D-24x10	24	5	40	36	0.354
SQN/S-22x5	22	5	35	33	0.290	SQN/D-28x10	28	5	45	42	0.506
SQN/S-24x5	24	5	40	36	0.354	SQN/D-30x12	30	6	45	45	0.513
SQN/S-26x5	26	5	40	39	0.363	SQN/D-32x12	32	6	55	48	0.891
SQN/S-28x5	28	5	45	42	0.506	SQN/D-36x12	36	6	55	54	0.752
SQN/S-30x6	30	6	45	45	0.513	SQN/D-40x14	40	7	60	60	1.216
SQN/S-32x6	32	6	55	48	0.891						
SQN/S-36x6	36	6	55	54	0.752						
SQN/S-40x7	40	7	60	60	1.216						
SQN/S-44x7	44	7	65	66	1.538						
Code	d	Pitch	Q	C	Weight (kg)	Code	d	Pitch	Q	C	Weight (kg)

Other sizes, dimensions and shapes are available upon request.

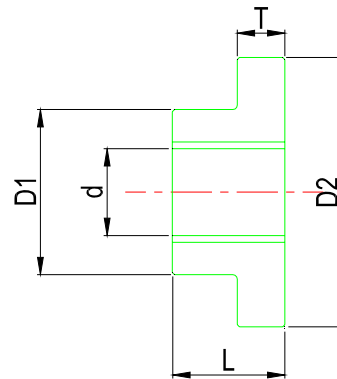
**Square Nut with Threaded Holes-SQTH**



**Stock Material:** Bronze, Casting Iron; **Other materials upon request:** Brass, Steel etc.

Code	d	pitch	W	L	H	h	L1	L2	B1	B2	W1	M1	M2	t	Dynamic Load (KN)
SQTH-10x□	10	2 (3, 4, 5, 6, 8, 9)	20	24	30	20	16	/	8	/	12	M4	/	6	2.55
SQTH-12x□	12		22	30	34	23	21	9	10	15	13	M5	M5	6	3.92
SQTH-14x□	14	3 (2,4, 6, 8, 9)	22	30	34	23	21	9	10	15	13	M5	M5	6	4.90
SQTH-16x□	16		28	35	41	27	25	11	12	18	18	M6	M6	7	6.67
SQTH-18x□	18	4 (2, 3, 5, 6)	32	40	45	29	30	16	12	18	22	M6	M6	7	8.72
SQTH-20x□	20		32	40	45	29	30	16	12	18	22	M6	M6	7	9.81
SQTH-22x□	22		36	50	48	30	40	20	12	18	26	M6	M6	7	12.36
SQTH-25x□	25	5 (2, 3, 4, 6)	36	50	48	30	40	20	12	18	26	M6	M6	7	14.22
SQTH-28x□	28		44	62	60	38	50	25	16	22	32	M8	M8	8	20.05
SQTH-32x□	32	6 (3, 4, 5, 7, 8)	44	62	60	38	50	25	16	22	32	M8	M8	8	22.81
Code	d	pitch	W	L	H	h	L1	L2	B1	B2	W1	M1	M2	t	Dynamic Load (KN)
<b>Other sizes, dimensions and shapes are available upon request.</b>															

**Round Nut in small length-RNSL**

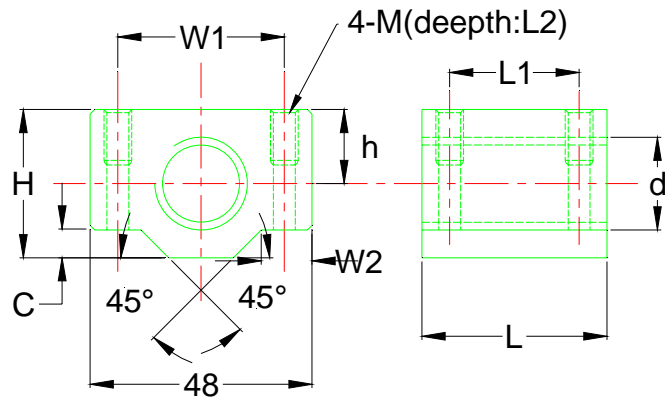


**Stock Material:** Bronze, Casting Iron; **Other materials upon request:** Brass, Steel etc.

Code	d	pitch	D1	D2	L1	L2	Weight (kg)	
							Bronze	Steel
RNSL-10x3	10	3	20	35	15	6	0.165	0.160
RNSL-12x3	12	3	24	42	20	7	0.291	0.280
RNSL-14x4	14	4	30	52	24	10	0.437	0.420
RNSL-16x4	16	4	30	52	24	10	0.437	0.420
RNSL-20x4	20	4	38	62	26	11	0.540	0.520
RNSL-24x5	24	5	50	77	33	13	1.245	1.200
RNSL-30x6	30	6	58	90	48	15	1.790	1.750
RNSL-36x6	36	6	80	115	60	20	3.400	3.310
RNSL-40x7	40	7	80	140	65	20	4.340	4.230
RNSL-50x8	50	8	90	170	70	20	5.690	5.500
Code	d	pitch	D1	D2	L1	L2	Weight (kg)	
							Bronze	Steel

**Other sizes, dimensions and shapes are available upon request.**

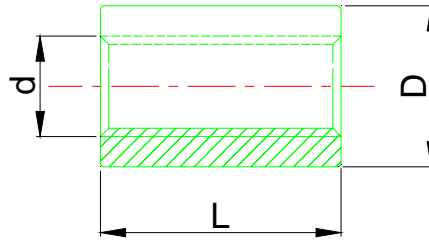
**Widened Square Nut-WSQN**



**Stock Material:** Bronze, Casting Iron; **Other materials upon request:** Brass, Steel etc.

Code	d	pitch	W	H	L	H	W1	W2	C	M	L2	Dynamic Load(KN)
WSQN -10x□	10	2 (3, 4, 5, 6, 8, 9)	30	20	24	10	20	8	4	M4	8	2.55
WSQN -12x□	12		38	22	30	11	26	10	5	M5	10	3.92
WSQN -14x□	14	3 (2, 4, 5, 6, 8, 9)	38	2	30	11	26	10	5	M5	10	4.90
WSQN -16x□	16		44	28	35	14	32	10	5	M5	10	6.67
WSQN -18x□	18	4 (2, 3, 5, 6)	48	32	40	16	36	11	6	M6	12	8.72
WSQN -20x□	20		48	32	40	16	36	11	6	M6	12	9.81
WSQN -22x□	22	5 (2, 3, 4, 6)	62	38	50	20	46	14	10	M8	16	12.36
WSQN -25x□	25		62	38	50	20	46	14	10	M8	16	14.22
WSQN -28x□	28		68	47	56	25	52	14	10	M8	16	17.95
WSQN -32x□	32	6 (3, 4, 5, 7, 8)	68	47	56	25	52	14	10	M8	16	21.08
Code	d	pitch	W	H	L	H	W1	W2	C	M	L2	Dynamic Load(KN)
Other sizes, dimensions and shapes are available upon request.												

**Plastic Round Nut -PRN**



**Stock Material:** POM, PA6, other plastic materials upon request.

Code	d	pitch	D	L	Code	d	pitch	D	L
<b>PRN/S: with single-start thread.</b>					<b>PRN/D: with double-start thread.</b>				
PRN/S-12x3	12	3	26	24	PRN/D-12x6	12	3	26	24
PRN/S-16x4	16	4	36	32	PRN/D-12x8	12	4	26	24
PRN/S-20x4	20	4	45	40	PRN/D-16x8	16	4	36	32
PRN/S-24x5	24	5	50	48	PRN/D-20x8	20	4	45	45
PRN/S-0x6	30	6	60	60	PRN/D-24x10	30	6	50	48
PRN/S-36x6	36	6	75	72	PRN/D-30x12	30	6	60	60
PRN/S-40x7	40	7	80	80	PRN/D-36x12	36	6	75	72
PRN/S-50x8	50	8	90	100	PRN/D-40x14	40	7	80	80

Other sizes, dimensions and shapes are available upon request.

**Other Shapes and materials:**



Plastic Nut

