

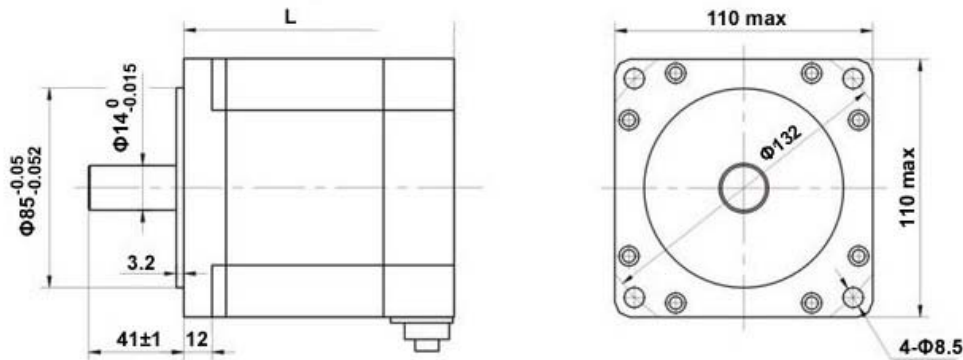
43HC Series

Positional error: $\pm 5\%$;
 Working Temperature: -10°C - $+40^{\circ}\text{C}$;
 Temperature rise: 85K;
 Insulation resistance: 100Mohm min 500V DC;
 Insulation class: B.

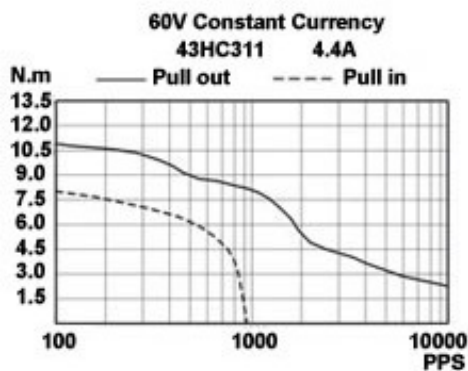


43HC301, 43HC311

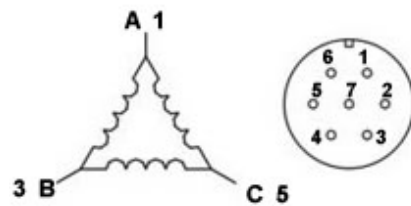
Figure Dimensions



Pulse-torque characteristics



Wiring Diagram



Code	Step angle	Rated current (A)	Resistance per phase (Ω)	Inductance per phase (mH)	Holding torque (mN.m)	Detent torque (mN.m)	Rotor inertia (g.cm ²)	Motor mass (kg)	Motor length "L"
43HC301	1.2°	3	4.1	2	4.2	10	0.17	2.0	6
43HC311	1.2°	3	4.1	2	4.6	12	0.20	2.4	8