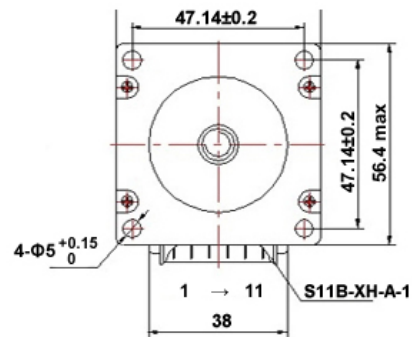
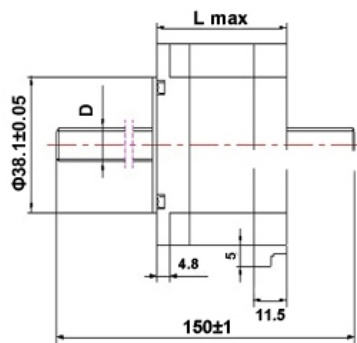


23HD-NC Series

Positional error: $\pm 5\%$;
 Working Temperature: -10°C - $+40^{\circ}\text{C}$;
 Temperature rise: 85K;
 Insulation resistance: 100Mohm min 500V DC;
 Insulation class: B.



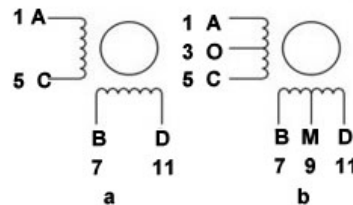
Figure Dimensions



Dimension of the Lead Screw

Normal Dia. (mm)	Resolution (mm)
Φ8	0.04
Φ11	0.01
Φ11	0.02

Wiring Diagram



Code	Step angle	Phases	Resolution (mm)	Rated current (A)	Resistance per phase (Ω)	Inductance per phase (mH)	Holding torque (mN.m)	Rotor Inertia (g.cm ²)	Motor mass (Kg)	Length (mm)
23HD002-T150	1.8°	2	0.04	0.5	12	20	22	135	0.42	41
23HD006-T150	1.8°	4	0.02	1.0	5.0	5	22	135	0.42	41
23HD029-T150	1.8°	2	0.04	2.0	1.4	2	22	135	0.42	41
23HD033-T150	1.8°	4	0.01	0.7	17	15	22	135	0.42	41
23HD202-T150	1.8°	2	0.02	0.88	7.0	21	32	220	0.55	51
23HD202-T150	1.8°	2	0.04	0.88	7.0	21	32	220	0.55	51
23HD228-T150	1.8°	4	0.01	2.0	1.72	2.86	32	220	0.55	51