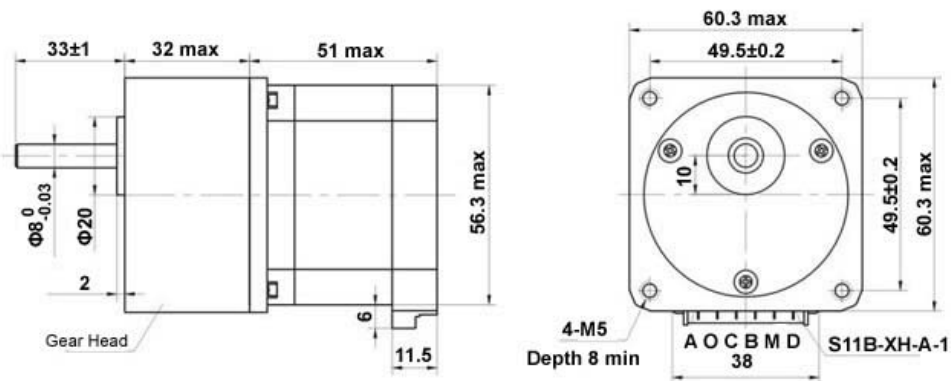


23HD-C Series

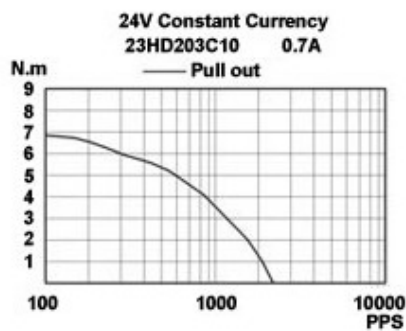
Positional error: $\pm 5\%$;
 Working Temperature: -10°C - $+40^{\circ}\text{C}$;
 Temperature rise: 85K;
 Insulation resistance: 100Mohm min 500V DC;
 Insulation class: B.



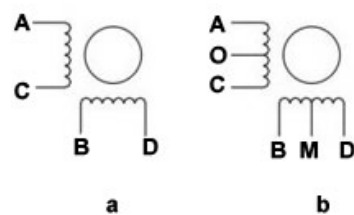
Figure Dimensions



Pulse-torque characteristics



Wiring Diagram



Code	Step angle	Rated current (A)	Resistance per phase (Ω)	Inductance per phase (mH)	Holding torque (mN.m)	Wiring diagram	Motor mass (g)	Gear reduction rate
23HD203C10	1.8°	0.7	12.0	40	7.0	a	0.35	1:10
23HD218C10	1.8°	1.3	3.1	5	3.5	b	0.35	1:30