

23HD EX Series

Positional error: $\pm 5\%$;
 Working Temperature: -10°C \rightarrow $+40^{\circ}\text{C}$;
 Temperature rise: 85K;
 Insulation resistance: 100Mohm min 500V DC;
 Insulation class: B.

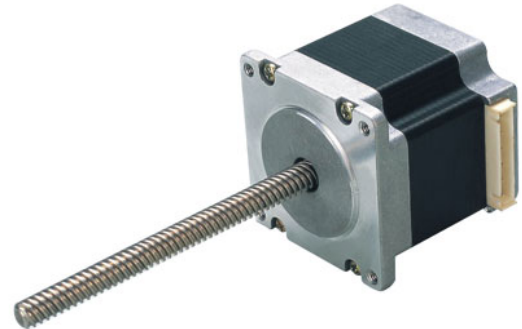
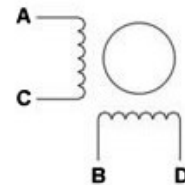
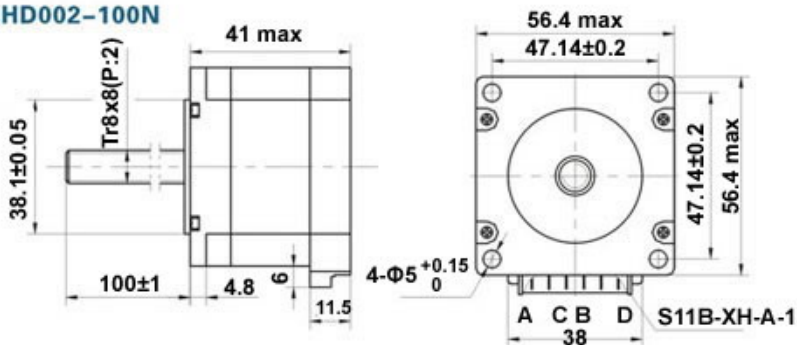


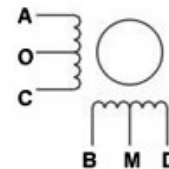
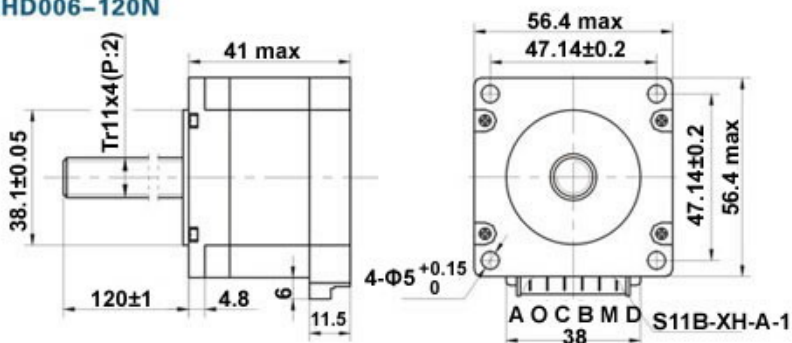
Figure Dimensions

Wiring Diagram

23HD002-100N



23HD006-120N



Modle	Step angle	Phases	Resolution (mm)	Rated current (A)	Resistance per phase (Ω)	Inductance per phase (mH)	Detent torque (mN.m)	Rotor inertia (g.cm ²)	Motor mass (kg)
23HD002-100N	1.8°	2	0.04	0.5	12	20	55	135	0.42
23HD006-120N	1.8°	4	0.02	1.0	5	5	55	135	0.42