

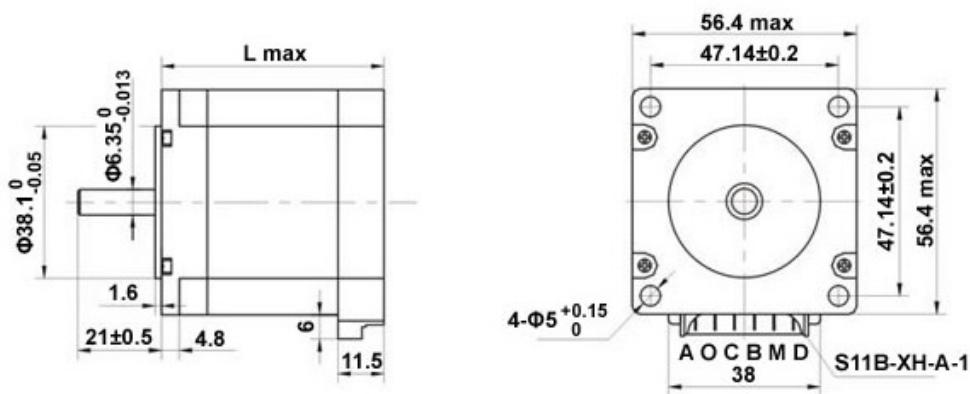
23HA Series

Positional error: $\pm 5\%$;
 Working Temperature: -10°C - $+40^{\circ}\text{C}$;
 Temperature rise: 85K;
 Insulation resistance: 100Mohm min 500V DC;
 Insulation class: B.

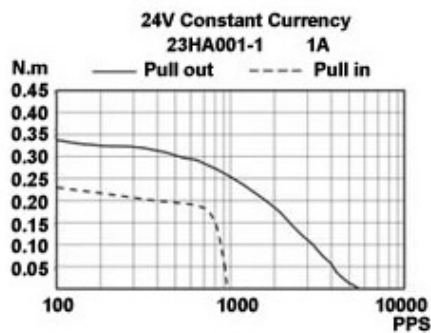


23HA001-1, 23HA002-1, 23HA101-1

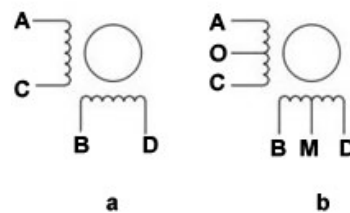
Figure Dimensions



Pulse-torque characteristics



Wiring Diagram



Code	Step angle	Rated current (A)	Resistance per phase (Ω)	Inductance per phase (mH)	Holding torque (mN.m)	Detent torque (mN.m)	Rotor inertia (g.cm ²)	Wiring diagram	Motor mass (g)	Motor length "L"
23HA001-1	0.9°	1.0	4	6	0.42	22	135	b	0.42	41
23HA002-1	0.9°	0.6	20	45	0.60	22	135	a	0.42	41
23HA101-1	0.9°	0.8	6	10	0.60	25	135	b	0.50	45