

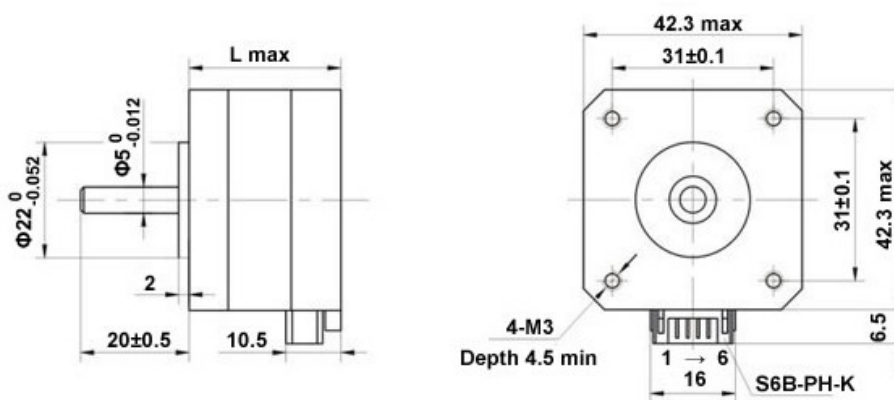
## 17HA Series

Positional error:  $\pm 5\%$ ;  
 Working Temperature:  $-10^{\circ}\text{C}$ – $+40^{\circ}\text{C}$ ;  
 Temperature rise: 85K;  
 Insulation resistance: 100Mohm min 500V DC;  
 Insulation class: B.

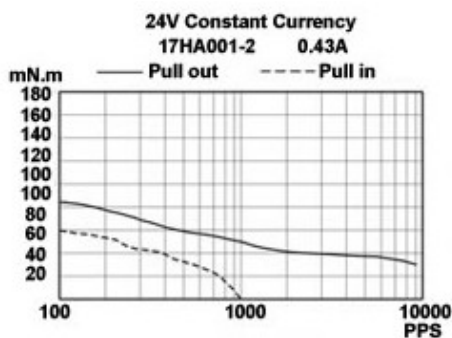


17HA001-2, 17HA002-3, 17HA101-2

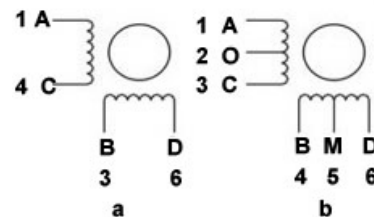
### Figure Dimensions



### Pulse-torque characteristics



### Wiring Diagram



Code	Step angle	Rated current (A)	Resistance per phase ( $\Omega$ )	Inductance per phase (mH)	Holding torque (mN.m)	Detent torque (mN.m)	Rotor inertia (g.cm <sup>2</sup> )	Wiring diagram	Motor mass (g)	Motor length "L"
17HA001-2	0.9°	0.43	8.0	11	100	8	20	a	0.19	29.5
17HA002-3	0.9°	0.40	16.8	7	70	8	20	b	0.19	29.5
17HA101-2	0.9°	0.40	30	33	150	12	38	b	0.23	34.0