

## 16HY EX Series

Positional error:  $\pm 5\%$ ;  
 Working Temperature:  $-10^{\circ}\text{C}$ - $+40^{\circ}\text{C}$ ;  
 Temperature rise: 85K;  
 Insulation resistance: 100Mohm min 500V DC;  
 Insulation class: B.

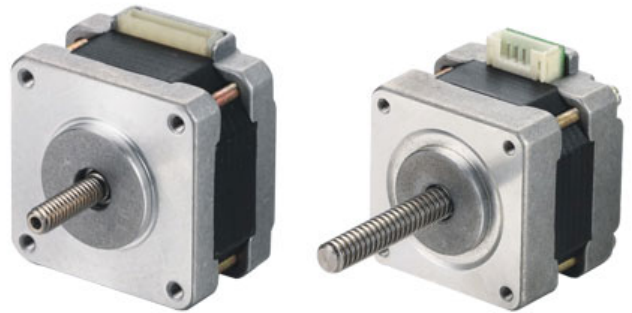
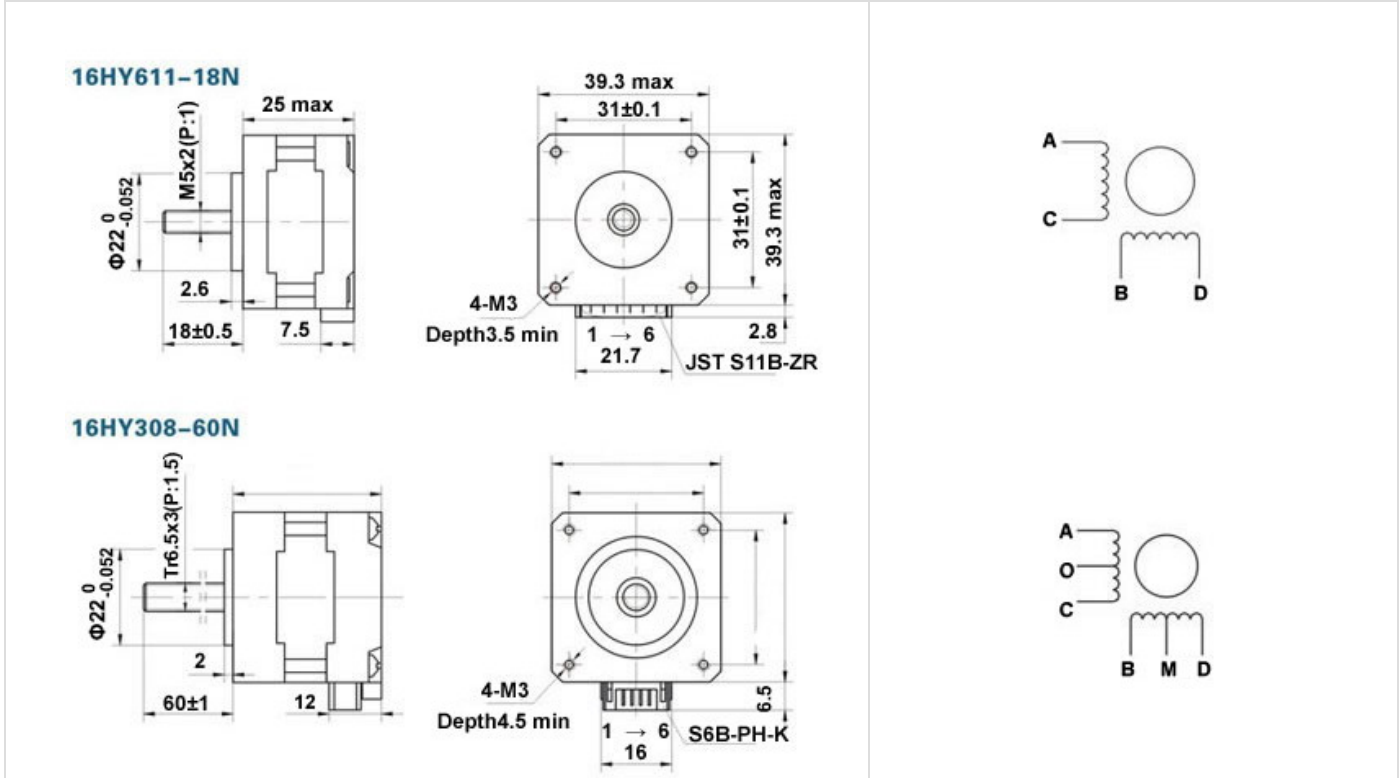


Figure Dimensions	Wiring Diagram
-------------------	----------------



Modle	Step angle	Phases	Resolution (mm)	Rated current (A)	Resistance per phase (Ω)	Inductance per phase (mH)	Detent torque (mN.m)	Rotor inertia (g.cm <sup>2</sup> )	Motor mass (g)
16HY611-18N	1.8°	2	0.010	0.4	30	35	12	48	0.18
16HY308-60N	1.8°	4	0.015	0.3	40	24	12	20	0.18