

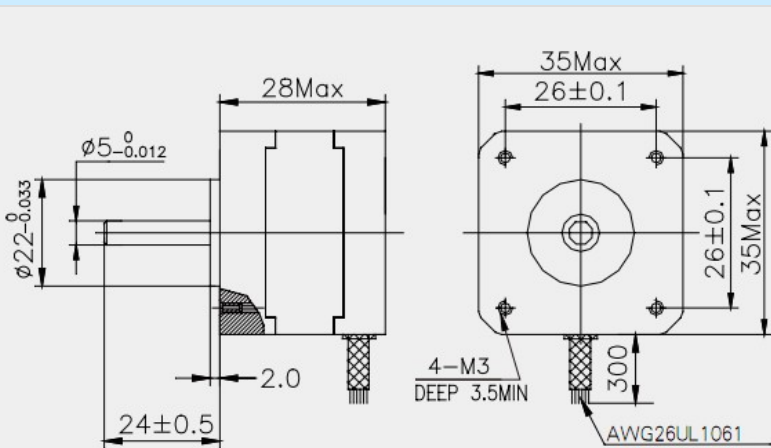
## 14HY Series

Positional error:  $\pm 5\%$ ;  
 Working Temperature:  $-20^{\circ}\text{C} \sim +50^{\circ}\text{C}$ ;  
 Temperature rise:  $80^{\circ}\text{C}$  Max;  
 Insulation resistance:  $100\text{M}\Omega$  Min.50V DC;  
 Dielectric Strength: 500V AC 1minute  
 Insulation class: B

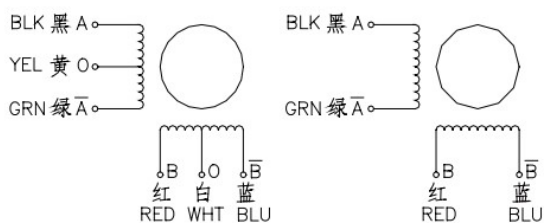


Code	Step angle	Rated current (A)	Resistance per phase ( $\Omega$ )	Inductance per phase (mH)	Holding torque (mN.m)	Detent torque (mN.m)	Rotor inertia (g.cm <sup>2</sup> )	Wiring diagram	Motor mass (g)	Motor length "L"
14HY24046	1.8	28	0.46	20	14	12	0.8	11	4	120
14HY2408	1.8	28	0.8	5.0	5.0	12	0.8	11	4	120
14HY2604	1.8	28	0.4	30	11	9	0.8	11	6	120
14HY34042	1.8	34	0.42	25	32	18	1.0	13	4	160
14HY3408	1.8	34	0.8	6.5	9.8	18	1.0	13	4	160
14HY3604	1.8	34	0.4	30	22	12	1.0	13	6	160

### Dimensions



### Wiring Diagram



\*We can manufacture products according to customer's requirement.