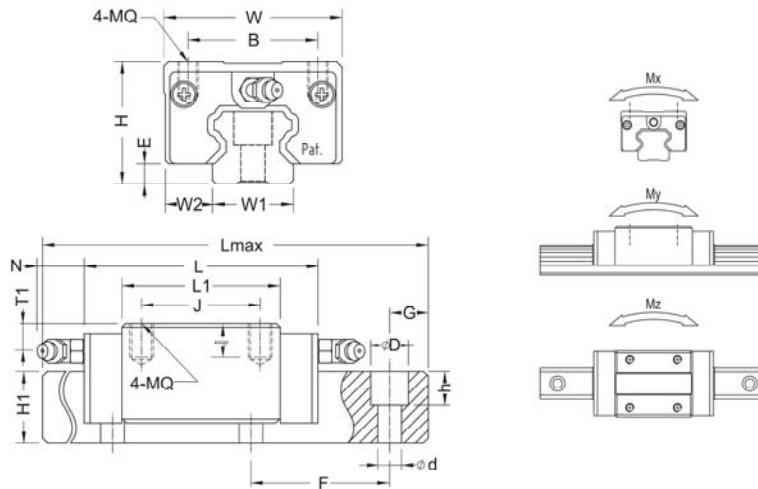


LGH-B Linear Guideway

Dimensions:



Model No	Assembly Size				Size of Block (mm)							Size of Rail (mm)			
	H	W	W2	E	L	BxJ	MQxℓ	L1	Oil Hole	T1	N	W1	H1	F	dxDxh
LGH15B	28	34	9.5	4.6	66	26x26	M4x6.4	40	$\phi 3$	8.3	5	15	14	60	4.5x7.5x5.3
LGH20B	30	44	12	5	77.8	32x36	M5x8	48.8	M6x1	7	6.5	20	18	60	6x9.5x8.5
LGH20BL					92.4	32x50		63.4							
LGH25B	40	48	12.5	7	88	35x35	M6x9.6	57	M6x1	11.8	6.5	23	22	60	7x11x9
LGH25BL					110.1	35x50		79.1							
LGH30B	45	60	16	9	109	40x40	M8x12.8	72	M6x1	10	6.5	28	26	80	9x14x12
LGH30BL					131.3	40x60		94.3							
LGH35B	55	70	18	9.5	119	50x50	M8x12.8	80	M6x1	15	6.5	34	29	80	9x14x12
LGH35BL					144.8	50x72		105.8							
LGH45B	70	86	20.5	14	148.2	60x60	M10x16	105	M8x1	18	13	45	38	105	14x20x17
LGH45BL					173	60x80		129.8							
LGH55B	80	100	23.5	15	170	75x75	M12x19	121	M8x1	20	13	53	44	105	16x23x20
LGH55BL					205.1	75x95		156.1							

Model No	Ref. data (mm)		Basic Load Rating (kgf)		Static Load Moment			Weight	
	Lmax	G	C(kgf)	Co(G)	Mx	My	Mz	Block (kg)	Rail (kg/M)
LGH15B	4000	20	850	1650	10	8	8	0.21	1.4
LGH20B	4000	20	1450	2560	22	18	18	0.31	2.6
LGH20BL			1900	3330	28.6	23.4	23.4	0.47	
LGH25B	4000	20	2140	4000	36	31	31	0.45	3.6
LGH25BL			2996	5600	50.4	43.4	43.4	0.56	
LGH30B	4000	20	2980	5490	60	49	49	0.91	5.2
LGH30BL			3900	7190	78.5	65	65	1.20	
LGH35B	4000	20	3960	7010	96	73	73	1.50	7.2
LGH35BL			5230	9270	125	95	95	1.90	
LGH45B	4000	22.5	6740	12100	216	168	168	2.30	12.3
LGH45BL			8330	14950	267	210	210	2.80	
LGH55B	4000	30	9940	17100	367	288	288	3.90	16.9
LGH55BL			12820	22060	473	375	375	5.00	