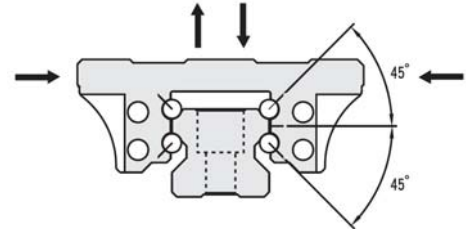


Linear Guideway- LGH-B, LGH-A, LGS-B, LGS-A, LGS-B, LGS-C

**Features of Linear Guideway:**

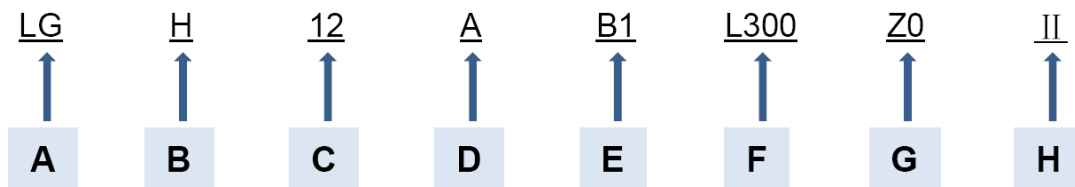
1. Built-in long life lubrication
2. Equivalent loading capacity in four directions
3. Smooth running
4. High rigity
5. High Speed



**Application**

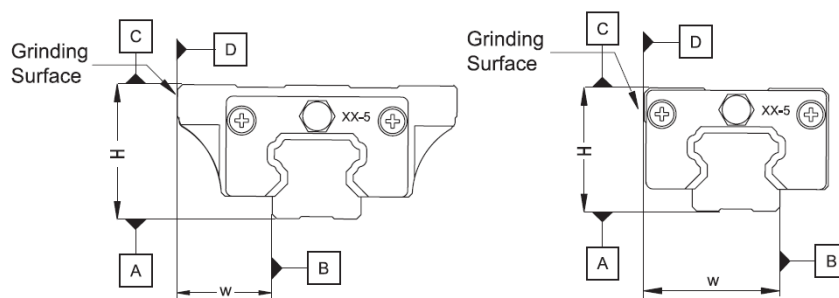
LGMN series can be used in many fields, such as semiconductor equipment, PCB assembly equipment, medical equipment, robotics, measuring equipment, office automation equipment, and other miniature sliding machinery.

**Model Number**



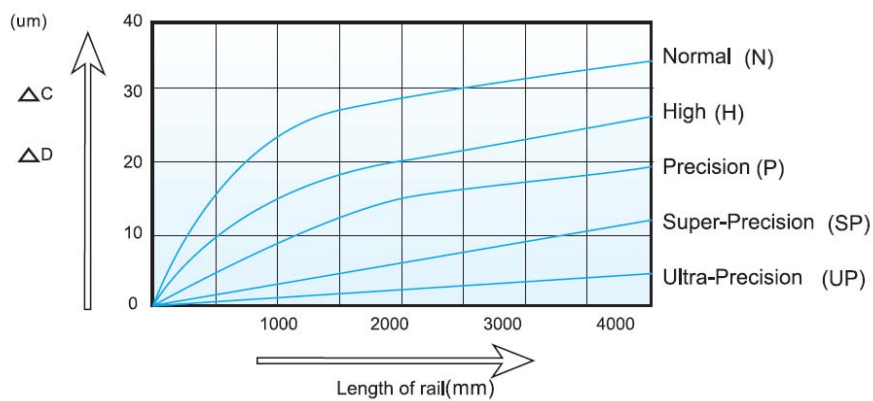
- A→linear guideway.
- B→H: international standard, S: low assembly.
- C→model size: 15,20, 25,30, 35, 45, 55.
- D→block type: A (with flange), B (without flange), C (through hole with flange); AL (long type with flange), BL(long type without flange), CL(long type, through hole, with flange), BS(short type without flange).
- E→quantity of bloks per rail.
- F→length of the rail.
- G→preload: ZF, Z0, Z1.
- H→quantity of rails per axis.

**Accuracy Grades**



Unit:mm

Accuracy Grades	Normal (C)	High (H)	Precision (P)
Dimensional tolerance of height H	± 0.1	± 0.04	0 -0.04
Dimensional tolerance of width W	± 0.1	± 0.04	0 -0.04
Pair Variation of height H	0.03	0.02	0.01
Pair Variation of width N (Master Rail)	0.03	0.025	0.015
Running parallelism of block surface C to surface A	According to Table Below		
Running parallelism of block surface D to surface B	According to Table Below		

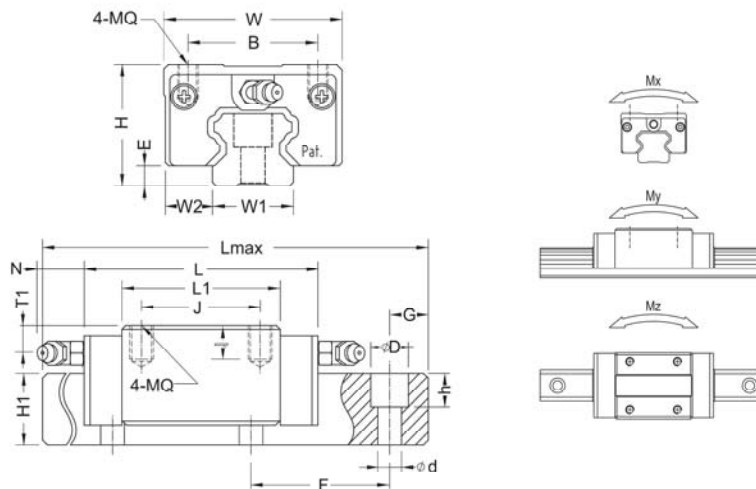


**Preload Classes**

Class	Code	Preload	Accuracy
Light Clearance	ZF	Clearance 4~10µm	C
Very Light Preload	Z0	0	C~P
Light Preload	Z1	0.02C	C~P

# LGH-B Linear Guideway

## Dimensions:

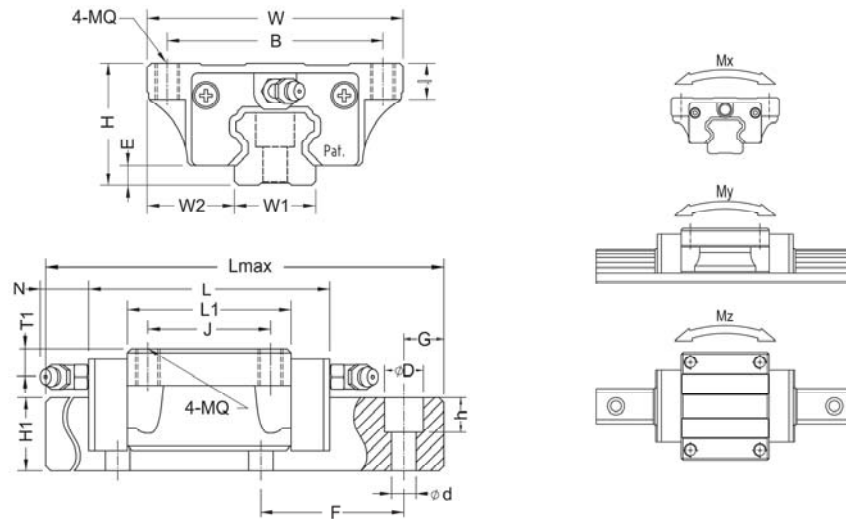


Model No	Assembly Size				Size of Block (mm)							Size of Rail (mm)			
	H	W	W2	E	L	BxJ	MQxℓ	L1	Oil Hole	T1	N	W1	H1	F	dxDxh
LGH15B	28	34	9.5	4.6	66	26x26	M4x6.4	40	ø3	8.3	5	15	14	60	4.5x7.5x5.3
LGH20B	30	44	12	5	77.8	32x36	M5x8	48.8	M6x1	7	6.5	20	18	60	6x9.5x8.5
LGH20BL					92.4	32x50		63.4							
LGH25B	40	48	12.5	7	88	35x35	M6x9.6	57	M6x1	11.8	6.5	23	22	60	7x11x9
LGH25BL					110.1	35x50		79.1							
LGH30B	45	60	16	9	109	40x40	M8x12.8	72	M6x1	10	6.5	28	26	80	9x14x12
LGH30BL					131.3	40x60		94.3							
LGH35B	55	70	18	9.5	119	50x55	M8x12.8	80	M6x1	15	6.5	34	29	80	9x14x12
LGH35BL					144.8	50x72		105.8							
LGH45B	70	86	20.5	14	148.2	60x60	M10x16	105	M8x1	18	13	45	38	105	14x20x17
LGH45BL					173	60x80		129.8							
LGH55B	80	100	23.5	15	170	75x75	M12x19	121	M8x1	20	13	53	44	105	16x23x20
LGH55BL					205.1	75x95		156.1							

Model No	Ref. data (mm)		Basic Load Rating (kgf)		Static Load Moment			Weight	
	Lmax	G	C(kgf)	Co(G)	Mx	My	Mz	Block (kg)	Rail (kg/M)
LGH15B	4000	20	850	1650	10	8	8	0.21	1.4
LGH20B	4000	20	1450	2560	22	18	18	0.31	2.6
LGH20BL			1900	3330	28.6	23.4	23.4	0.47	
LGH25B	4000	20	2140	4000	36	31	31	0.45	3.6
LGH25BL			2996	5600	50.4	43.4	43.4	0.56	
LGH30B	4000	20	2980	5490	60	49	49	0.91	5.2
LGH30BL			3900	7190	78.5	65	65	1.20	
LGH35B	4000	20	3960	7010	96	73	73	1.50	7.2
LGH35BL			5230	9270	125	95	95	1.90	
LGH45B	4000	22.5	6740	12100	216	168	168	2.30	12.3
LGH45BL			8330	14950	267	210	210	2.80	
LGH55B	4000	30	9940	17100	367	288	288	3.90	16.9
LGH55BL			12820	22060	473	375	375	5.00	

# LGH-A Linear Guideway

## Dimensions:

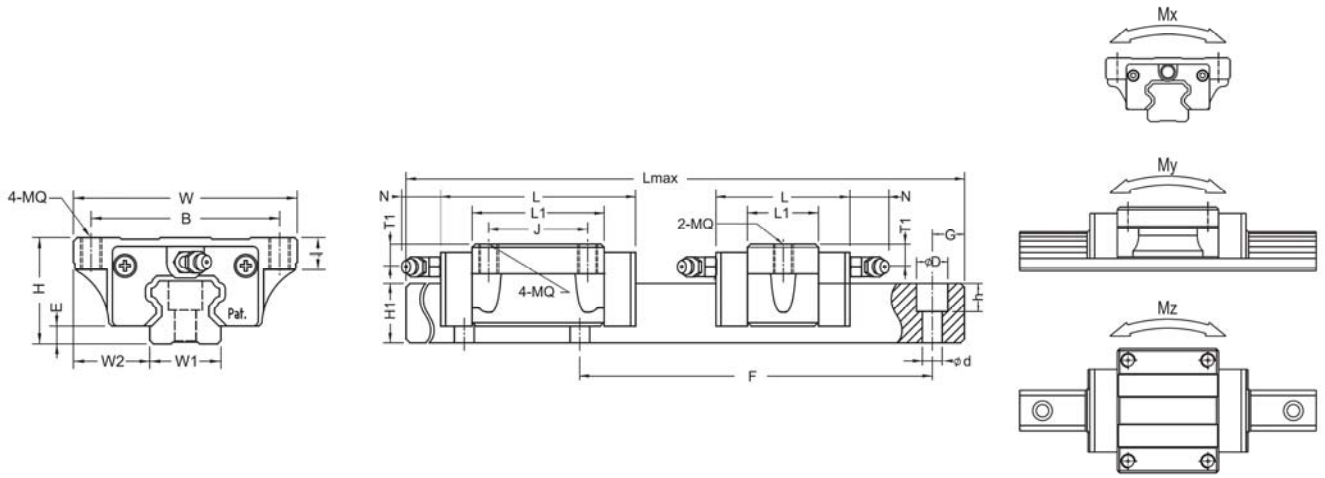


Model No	Assembly Size (mm)				Size of Block (mm)							Size of Rail (mm)			
	H	W	W2	E	L	BxJ	MQxℓ	L1	Oil Hole	T1	N	W1	H1	F	dxDxh
LGH15A	24	47	16	4.6	66	38x30	M5x8	40	∅3	4.3	5	15	14	60	4.5x7.5x5.3
LGH20A	30	63	21.5	5	77.8	53x40	M6x9	48.8	M6x1	5	6.5	20	18	60	6x9.5x8.5
LGH20AL					92.4			63.4							
LGH25A	36	70	23.5	7	88	57x45	M8x12	57	M6x1	5	6.5	23	22	60	7x11x9
LGH25AL					110.1			79.1							
LGH30A	42	90	31	9	109	72x52	M10x12	72	M6x1	7	6.5	28	26	80	9x14x12
LGH30AL					131.3			94.3							
LGH35A	48	100	33	9.5	119	82x62	M10x13	80	M6x1	8	6.5	34	29	80	9x14x12
LGH35AL					144.8			105.8							
LGH45A	60	120	37.5	14	148.2	100x80	M12x15	105	M8x1	10	13	45	38	105	14x20x17
LGH45AL					173			129.8							
LGH55A	70	140	43.5	15	170	116x95	M14x20	121	M8x1	11	13	53	44	105	16x23x20
LGH55AL					205.1			156.1							

Model No.	Ref. data (mm)		Basic Load Rating (kgf)		Static Load Moment (kgf*m)			Weight	
	Lmax	G	Dynamic Load-C	Static Load-Co	Mx	My	Mz	Block (kg)	Rail (kg/M)
LGH15A	4000	20	850	1650	10	8	8	0.19	1.4
LGH20A	4000	20	1450	2560	22	18	18	0.4	2.6
LGH20AL			1900	3330	28.6	23.4	23.4	0.52	
LGH25A	4000	20	2140	4000	36	31	31	0.57	3.6
LGH25AL			2996	5600	50.4	43.4	43.4	0.72	
LGH30A	4000	20	2980	5490	60	49	49	1.1	5.2
LGH30AL			3900	7190	78.5	65	65	1.4	
LGH35A	4000	20	3960	7010	96	73	73	1.6	7.2
LGH35AL			5230	9270	125	95	95	2	
LGH45A	4000	22.5	6740	12100	216	168	168	2.7	12.3
LGH45AL			8330	14950	267	210	210	3.6	
LGH55A	4000	30	9940	17100	367	288	288	5	16.9
LGH55AL			12820	22060	473	375	375	6.4	

## LGS-A Linear Guideway

### Dimensions:

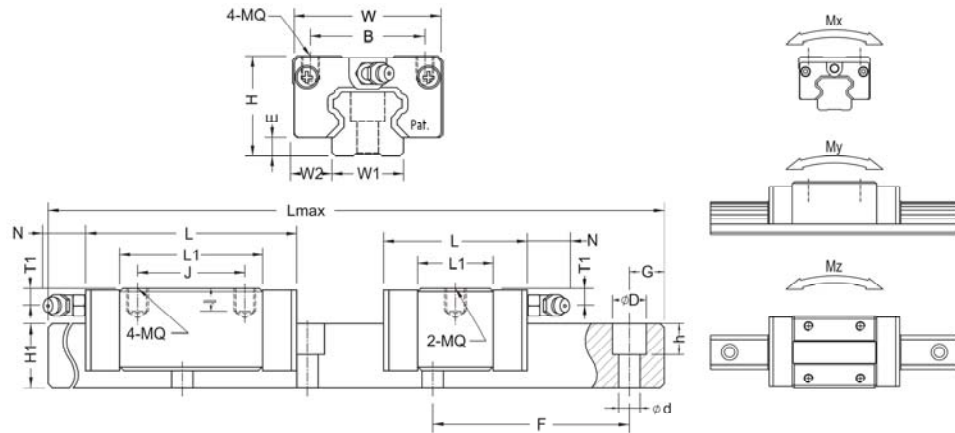


Model No	Assembly Size (mm)				Block Size (mm)							Rail Size (mm)			
	H	W	W2	E	L	BXJ	MQxI	L1	Oil hole	T1	N	W1	H1	F	dxDxh
LGS20AS	28	59	19.5	5	57	49	M6x7	28	M6x1	5	6.5	20	18	60	6x9.5x8.5
LGS25A	33	73	25	7	88	60x35	M8x9	57	M6x1	4.8	6.5	23	22	60	7x11x9
LGS25AS					62.5	60		31.5							

Model No	Ref. data (mm)		Basic Load Rating (kgf)		Static Load Moment (kgf*m)			Weight	
	Lmax	G	Dynamic Load-C	Static Load-Co	Mx	My	Mz	Block (kg)	Rail (kg/M)
LGS20AS	4000	20	830	1470	12.6	10.3	10.3	0.17	2.6
LGS25A	4000	20	2140	4000	36	32	31	0.5	3.6
LGS25AS			1190	2230	20	17.5	17.2		

# LGS-B Linear Guideway

## Dimensions:

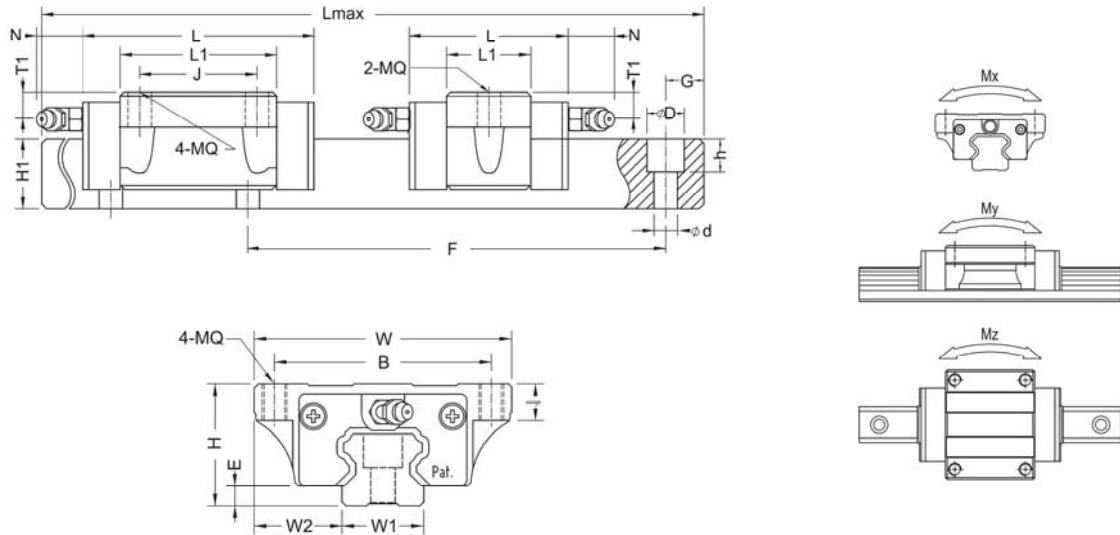


Model No	Assembly Size				Size of Block (mm)							Size of Rail (mm)			
	H	W	W2	E	L	BxJ	MQxl	L1	Oil	T1	N	W1	H1	F	dxDxh
LGS15B	24	34	9.5	4.6	66	26x26	M4x5.6	40	ø3	4.3	5	15	14	60	4.5x7.5x5.3
LGS15BS					47.6	26x-		21.6							
LGS20B	28	42	11	5	77.8	32x32	M5x7	48.8	M6x1	5	6.5	20	18	60	6x9.5x8.5
LGS20BS					58	32x-		28							
LGS25B	33	48	12.5	7	88	35x35	M6x8.4	57	M6x1	4.8	6.5	23	22	60	7x11x9
LGS25BS					62.5	35x-		31.5							
LGS25BL					110.1	35x50		79.1							
LGS30B	42	60	16	9	109	40x40	M8x11.2	72	M6x1	7	6.5	28	26	80	9x14x12
LGS30BS					75.6	40x-		38.6							
LGS30BL					131.3	40x60		94.3							
LGS35B	48	70	18	9.5	119	50x50	M8x11.2	80	M6x1	8	6.5	34	29	80	9x14x12
LGS35BS					84.7	50x-		45.7							
LGS35BL					144.8	50x72		105.8							
LGS45B	60	86	20.5	14	148.2	60x60	M10x14	105	M8x1	8.5	13	45	38	105	14x20x17
LGS45BL					173	60x80		129.8							
LGS55B	68	100	23.5	15	170	75x75	M12x15	121	M8x1	8	13	53	44	120	16x23x21
LGS55BL					205.1	75x95		156.1							

Model No	Ref. data (mm)		Basic Load Rating (kgf)		Static Load Moment (kgf*m)			Weight	
	Lmax	G	Dynamic Load-C	Static Load-Co	Mx	My	Mz	Block (kg)	Rail (kg/M)
LGS15B	4000	20	850	1650	10	8	8	0.17	1.4
LGS15BS			510	950	6	4.8	4.8	0.1	
LGS20B	4000	20	1450	2560	22	18	18	0.26	2.6
LGS20BS			830	1470	12.6	10.3	10.3	0.17	
LGS25B	4000	20	2140	4000	36	32	32	0.38	3.6
LGS25BS			1190	2230	20	17.5	17.2	0.21	
LGS25BL			2996	5600	50.4	44.8	43.4	0.53	
LGS30B	4000	20	2980	5490	60	50	49	0.81	5.2
LGS30BS			1595	2940	32	27	27	0.48	
LGS30BL			3900	7190	78.5	65	65	1.06	
LGS35B	4000	20	3960	7010	96	75	73	1.2	7.2
LGS35BS			2260	4000	54.5	42.5	41.5	0.8	
LGS35BL			5230	9270	125	95	95	1.6	
LGS45B	4000	22.5	6740	12100	216	170	168	2.1	12.3
LGS45BL			8330	14950	267	210	210	2.6	
LGS55B	4000	30	9940	17100	367	293	288	3.6	16.9
LGS55BL			12820	22060	473	380	375	4.6	

## LGS-C Linear Guideway

### Dimensions:



Model No	Assembly Size (mm)				Block Size (mm)							Rail Size (mm)			
	H	W	W2	E	L	BxJ	MQxl	L1	Oil hole	T1	N	W1	H1	F	dxDxh
LGS20CS	28	59	19.5	5	57	49	$\phi 5.7 \times 7$	28	M6x1	5	6.5	20	18	60	6x9.5x8.5
LGS25C	33	73	25	7	88	60x35	$\phi 7 \times 9$	57	M6x1	4.8	6.5	23	22	60	7x11x9
LGS25CS					62.5	60		31.5							

Model No	Ref. data (mm)		Basic Load Rating (kgf)		Static Load Moment (kgf*m)			Weight	
	Lmax	G	Dynamic Load-C	Static Load-Co	Mx	My	Mz	Block (kg)	Rail (kg/M)
LGS20CS	4000	20	830	1470	12.6	10.3	10.3	0.17	2.6
LGS25C	4000	20	2140	4000	36	32	31	0.5	3.6
LGS25CS			1190	2230	20	17.5	17.2		